



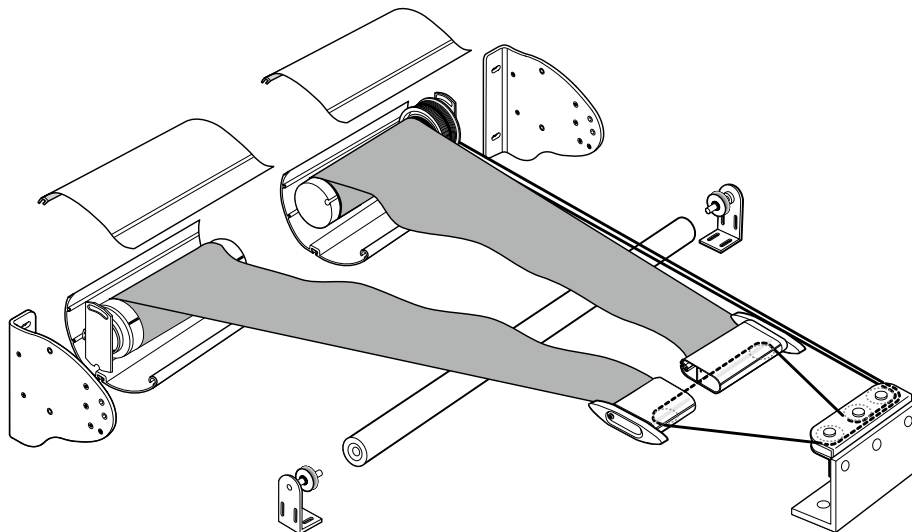
TESS401 DATASHEET

EXTERNAL TRIANGULAR TENSION SYSTEM

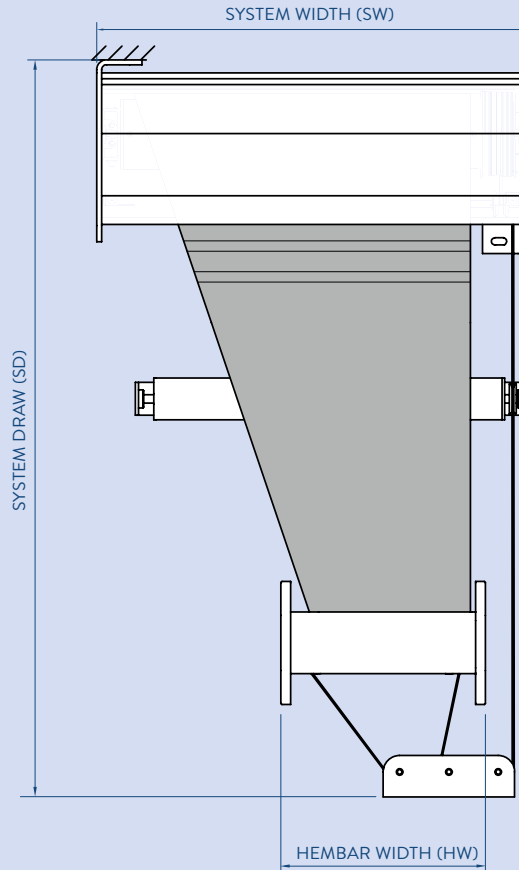
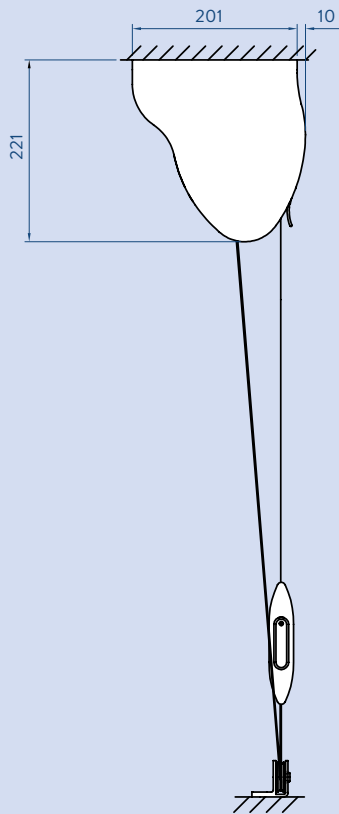
The tried and tested solution for triangular glazing.
Flat or curved.

Modern glazing design is anything but square. The TESS 401 covers corners and right-angled triangles and can even follow curves with the use of relieving rollers. Unlimited colour finishes and a wide range of fabrics make it suitable for any project. Our single barrel mechanism keeps the fabric constantly under tension and produces a smooth, quiet travel.

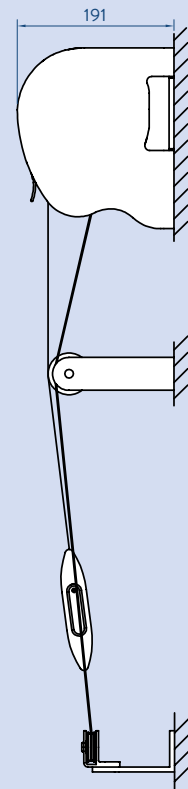
- Protective headbox
- Single barrel tension system
- 90° triangles and corners
- Angles and curves
- Reliable and robust



BACK FIX



BOTTOM FIX



KEYFACTS

Typical use	Flat, curved or sloped glazing
Shape	Right angled triangle
Running direction	Any
Guides	None
Width	870 mm - 4000 mm
Draw	≤5000 mm
Fabric area	≤9 m ²
Brackets	Aluminium
Relieving rollers	Aluminium
Finish	RAL Powder coat
Installation options	Bottom, back

TECHNICALINFO

Fabric tension	>100 N
Weight exc. fabric	~12.5 kg + 10.2 kg/m width
Fixing load	≤36 kg per bracket
Operating temp.	0 to 55 °C
Motor	15 Nm, 17 rpm
Electrical	230 V, 50 Hz, 140 W, 0.65A
	120 V, 60 Hz, 130 W, 1.1A
Max run time	4 min
Fabric speed	~5 m/min
Controls	Radio, Wired

