



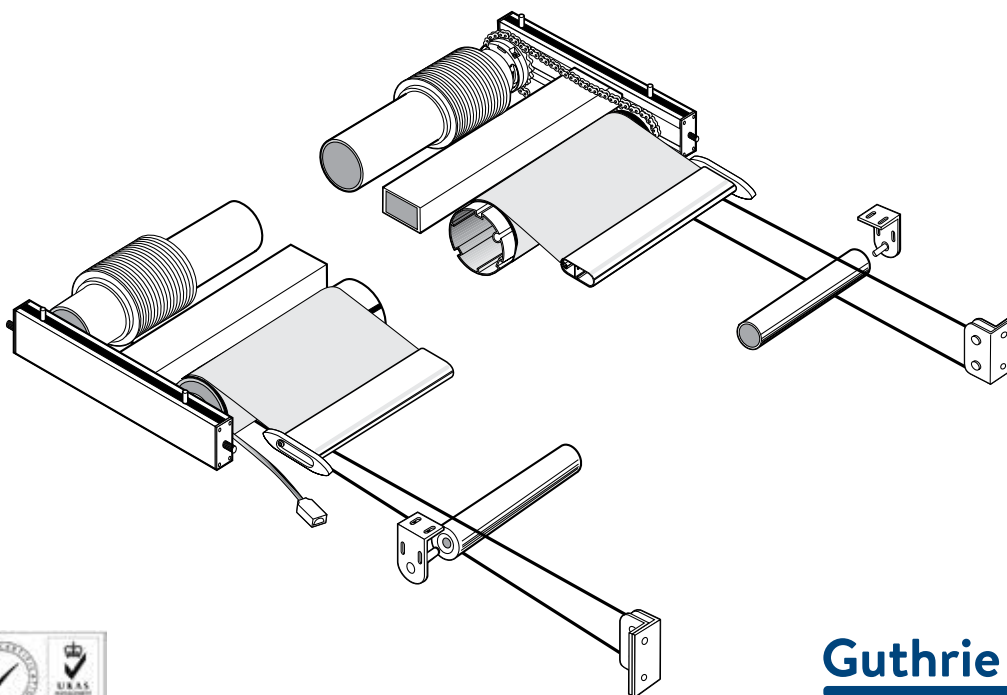
TESS200 DATASHEET

EXTRA-LARGE INTERNAL TENSION SYSTEM

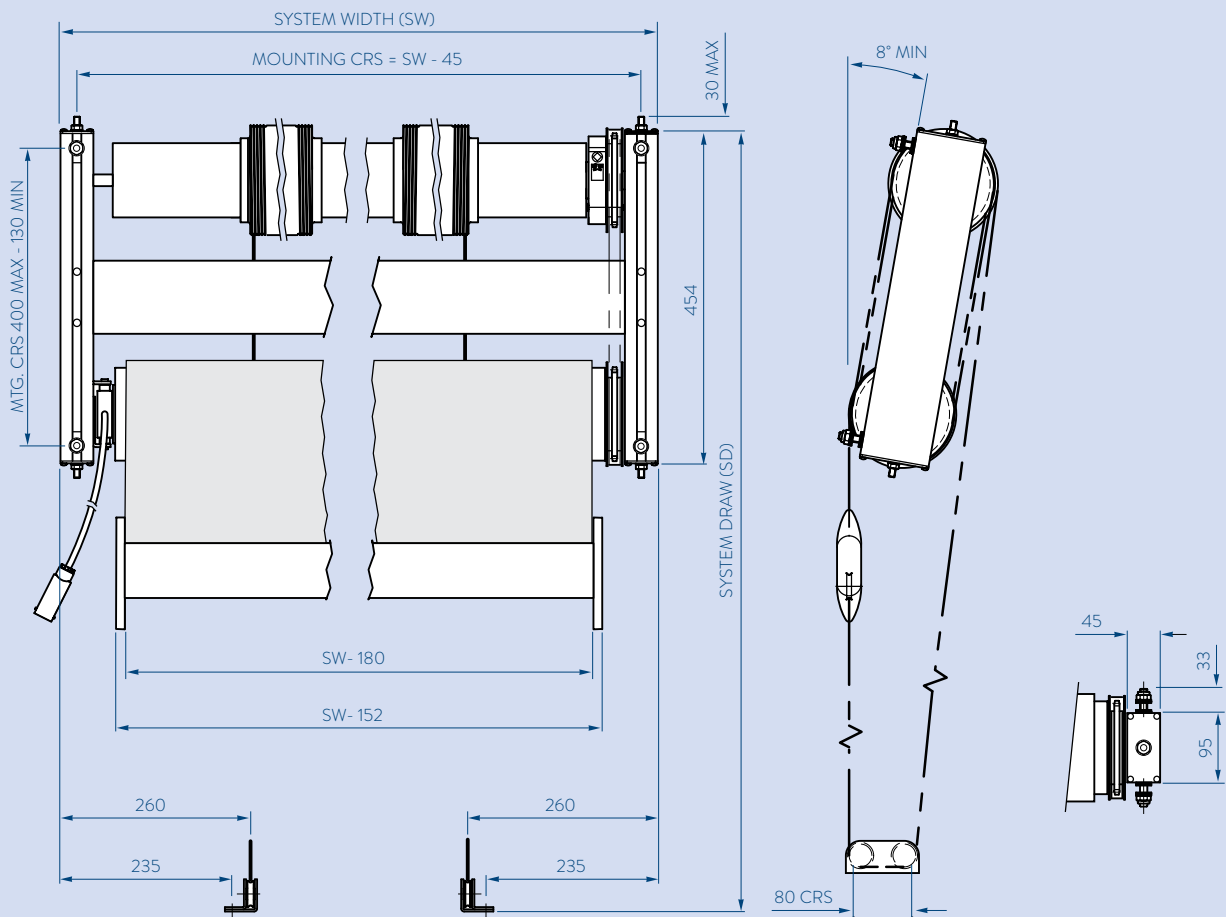
The strength you need to cover huge spaces.
Any angle, any direction, anywhere.

Strong and effective, the TESS 200 is the only blind in existence that can cover up to 60m² with a single mechanism and a single piece of fabric. Two barrels work together to deploy fabric and stabilise the blind using ultra-thin cables. A powerful motor and spring keep the fabric constantly under tension and produce a smooth travel.

- Twin-barrel tension mechanism
- Any angle, any direction
- Huge surfaces covered
- Curves and special shapes
- Reliable and robust



Guthrie Douglas



KEYFACTS

Typical use	Façades, atria
Shape	Rectangular, trapezoidal
Running direction	Any
Guides	None
Width	1300 mm - 4000 mm
Draw	≤18 000 mm
Fabric area	≤60 m ²
Brackets	Aluminium
Relieving rollers	Aluminium
Finish	RAL Powder coat
Installation options	Top, back, side

TECHNICALINFO

Fabric tension	>200 N
Weight exc. fabric	~32 kg + 11 kg/m width
Fixing load	≤72 kg per bracket
Operating temp.	0 to 55 °C
Motor	35 Nm, 17 rpm
Electrical	230 V, 50 Hz, 240 W, 1.1A
	120 V, 60 Hz, 230 W, 2.0A
Max run time	4 min
Fabric speed	~7 m/min
Controls	Radio, Wired

