



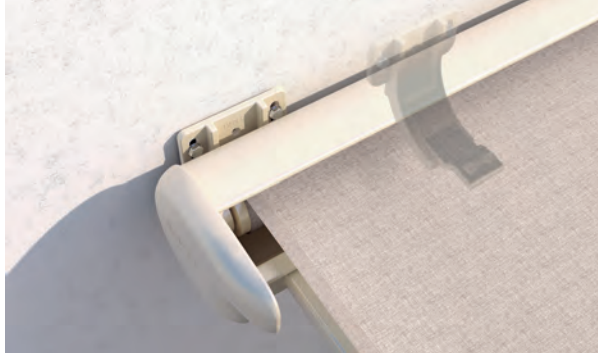
# PERGOLINO



PERGOLA & PAVILLON  
**THE ELEGANT PERGOLA AWNING**



# PERGOLINO P3000 | P3500



Variable bracket positioning



Fabric-locking Stobblock



- Very elegant construction
- High mounting flexibility due to adjustable brackets and guide rails
- Integrated water channel for lateral draining of rain water
- High fabric tension thanks to fabric-locking Stobblock
- Can be used in the rain when set to the corresponding incline and the water-resistant fabric is tensioned
- Various floor fastenings for the supports (flower trough, floor sleeves, foot plate)
- Large area can be shaded – up to 6 m projection (PS3500)
- Optional, dimming LED lighting
- Can be combined with STOBAG aluminium floor systems (I.S.L.A. Concept)

## P3000

min. 200 cm  
max. 700 cm\*

min. 200 cm  
max. 400 cm

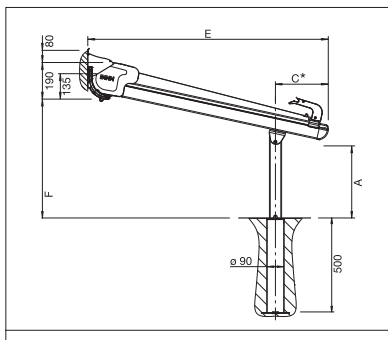
Post height  
max. 300 cm

\*from 601 cm with 3 guide rails

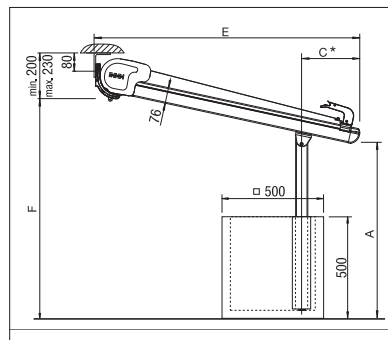
CLASS 3  
max. 50 km/h



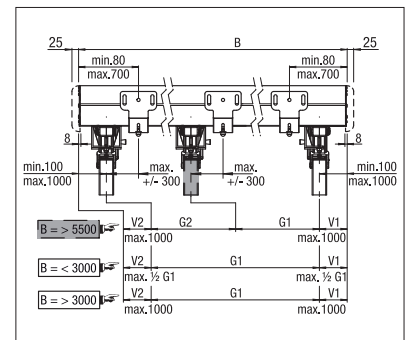
Technical dimensions in millimetres



Wall mounting with floor sleeves



Ceiling mounting with flower trough



With three guides



Constant fabric tensioning



STOBAG aluminium floor system

### P3500



min. 200 cm  
max. 700 cm\*



min. 200 cm  
max. 600 cm



Post height  
max. 300 cm

\*from 551 cm with 3 guide rails



CLASS 3  
max. 50 km/h



### COLOURS

Discover the diverse options when selecting frame colours.



### FABRICS

Choose from a comprehensive range of materials and colours.



### ELECTRICS

More convenience thanks to the automated control and lighting systems.



**ENJOY THE TERRACE –  
IN ANY WEATHER**