



PALAZZO® Style
PALAZZO® Noblesse
PALAZZO® Royal
INTERNATIONAL

PRODUCT DESCRIPTION
2016





PALAZZO® Style / E



- Frame:** 4, 6 or 8 rods made of aluminium, with twist-proof mast (incl. reinforcement ribs), with counter-rotating opening principle for convenient opening with only a few turns of the crank (handle).
- Frame colour:** Anodized natural
Additional charge for powder-coated sunshade frames in other RAL colours: Price upon enquiry
- Frameform:** Round, rectangular or square
- Drive:** With crank or with motor drive for greatest comfort
- Shade cover:** Tension can be adjusted using stepless strut extension, available in material class 5 (100% polyacrylic approx. 300g/m²)
- Flounce:** Available with or without
- Protective cover:** Optional

• Point of use • Fastenings



PALAZZO® Style, Int. Patents reg. ©Int. Design reg.

Nominal size PALAZZO® Style / E

	Size without flounce	Number of rods	Material class 5 Colours 500 – 699	Order no. Frame with crank anodized natural	Motorisation surcharge	Order no. Frame with motor anodized natural
	cm					
○	∅ 350	8 parts		230 00 350 171		231 00 350 171
	∅ 400	8 parts		230 00 400 171		231 00 400 171
	∅ 450	8 parts		230 00 450 171		231 00 450 171
	∅ 500	8 parts		230 00 500 171		231 00 500 171
	∅ 600	8 parts		230 00 600 171		231 00 600 171
□	350 × 300	6 parts		230 00 352 171		231 00 352 171
	400 × 300	6 parts		230 00 402 171		231 00 402 171
	450 × 350	8 parts		230 00 452 171		231 00 452 171
	500 × 400	8 parts		230 00 502 171		231 00 502 171
	550 × 450	8 parts		230 00 552 171		231 00 552 171
□	300 × 300	4 parts		230 00 301 171		231 00 301 171
	350 × 350	8 parts		230 00 351 171		231 00 351 171
	400 × 400	8 parts		230 00 401 171		231 00 401 171
	450 × 450	8 parts		230 00 451 171		231 00 451 171
	500 × 500	8 parts		230 00 501 171		231 00 501 171

	Size with flounce	Number of rods	Material class 5 Colours 500 – 699	Order no. Frame with crank anodized natural	Motorisation surcharge	Order no. Frame with motor anodized natural
	cm					
○	∅ 350	8 parts		230 00 350 170		231 00 350 170
	∅ 400	8 parts		230 00 400 170		231 00 400 170
	∅ 450	8 parts		230 00 450 170		231 00 450 170
	∅ 500	8 parts		230 00 500 170		231 00 500 170
	∅ 600	8 parts		230 00 600 170		231 00 600 170
□	350 × 300	6 parts		230 00 352 170		231 00 352 170
	400 × 300	6 parts		230 00 402 170		231 00 402 170
	450 × 350	8 parts		230 00 452 170		231 00 452 170
	500 × 400	8 parts		230 00 502 170		231 00 502 170
	550 × 450	8 parts		230 00 552 170		231 00 552 170
□	300 × 300	4 parts		230 00 301 170		231 00 301 170
	350 × 350	8 parts		230 00 351 170		231 00 351 170
	400 × 400	8 parts		230 00 401 170		231 00 401 170
	450 × 450	8 parts		230 00 451 170		231 00 451 170
	500 × 500	8 parts		230 00 501 170		231 00 501 170

Accessories PALAZZO® Style / E

Order no.

Fixing option M4 / M8 / M16 (Support tube or Tip-over hinge absolutely necessary)		
Base M4 / M8 / M16, 430 kg / 620 kg (8 or 12 concrete elements) 101.2 × 101.2 × 22–26 / 31–35 cm, galvanised steel (price without elements)		350 01 226 945
Mounting plate M4 / M8, 30 × 30 × 1.5 cm, galvanised steel		350 01 226 921
Fixing option M4 (support tube M4 absolutely necessary)		
Base M4, 180 kg, (for 12 plates 40 × 40 × 4 cm), 91 × 91 × 15.5 - 19.5 cm, galvanised steel (adjustable and levellable) (price without plates)		350 01 108 335
Base M4, 240 kg, (for 16 plates 40 × 40 × 4 cm), 91 × 91 × 19 - 23 cm, galvanised steel (adjustable and levellable) (price without plates)		350 01 108 435
Cover for base M4, 88 × 88 × 5 cm, brushed aluminium (imitate)		350 01 100 400
Set of castors for base M4 (maximum weight 240kg), Ø 5 cm, H = 5.5 cm, galvanised steel		350 01 100 500
Ground socket M4, galvanised steel		350 01 226 510
Mounting plate M4 special, for installation height 50 – 149 mm, galvanised steel		350 01 226 932
Mounting plate M4 special, for installation height 150 – 350 mm, galvanised steel		350 01 226 930
Mounting plate M4 for isolated grounds, installation height made to measure, high-grade steel 1.4301 / 304		350 01 229 730
Support tube M4 with profile PzS / PzN, galvanised steel (with cover, adjustable and revellable)		350 01 227 040
Fixing option M8 (tip-over hinge M8 absolutely necessary)		
Ground socket M8, galvanised steel		350 01 226 000
Special mounting plate, M8, for heights of 50 – 149 mm, galvanised steel		350 01 229 707
Special mounting plate, M8, for heights of 150 – 350 mm, galvanised steel		350 01 229 705
Mounting plate, M8, for insulated base, height to order, high-grade steel 1.4301 / 304		350 01 229 732
Tip-over hinge M8 with profile PzS / PzN, galvanised steel (adjustable and revellable)		350 01 225 040
Concrete elements for base M4 / M8 / M16		
Set of concrete sections, 8 pieces, 48.3 × 48.3 × 9.4 cm, (ca. 385 kg), concrete		350 01 226 948
Slabs for base M4		
Slab set, 12 pieces, 40 × 40 × 4 cm, (ca. 165 kg), concrete		350 01 226 907
Slab set, 12 pieces, 40 × 40 × 4 cm, (ca. 170 kg), 8 pieces concrete, 4 pieces polished granite		350 01 226 906
Slab set, 16 pieces, 40 × 40 × 4 cm, (ca. 220 kg), concrete		350 01 226 904
Slab set, 16 pieces, 40 × 40 × 4 cm, (ca. 225 kg), 12 pieces concrete, 4 pieces polished granite		350 01 226 903
Protective cover, coated polyester fabric		suitable for shade sizes in cm
Protective cover with zip and rod, 325 × 90 cm	Ø 350/Ø 400/Ø 450/Ø 500/350 × 300/400 × 300/300 × 300/350 × 350	350 01 609 811
Protective cover with zip and rod, 400 × 100 cm	Ø 600/450 × 350/500 × 400/550 × 450/400 × 400/450 × 450/500 × 500	350 01 609 821
§ Rain gutter and curtain (suitable only for square and rectangular sunshades)		
Rain gutter conical 300 cm, PzNS, 2/2, incl. fastener set acrylic / PVC		350 01 709 330 XXX
Rain gutter conical 350 cm, PzNS, 3/3, incl. fastener set acrylic / PVC		350 01 709 332 XXX
Rain gutter conical 400 cm, PzNS, 3/3, incl. fastener set acrylic / PVC		350 01 709 334 XXX
Rain gutter conical 450 cm, PzNS, 3/3, incl. fastener set acrylic / PVC		350 01 709 336 XXX
Rain gutter conical 500 cm, PzNS, 3/3, incl. fastener set acrylic / PVC		350 01 709 338 XXX
Rain gutter conical 550 cm, PzNS, 3/3, incl. fastener set acrylic / PVC		350 01 709 346 XXX
Curtain 300 × 220 cm, PzS, 2/ incl. fastener set acrylic		350 01 759 430 XXX
Curtain 350 × 220 cm, PzS, 3/ incl. fastener set acrylic		350 01 759 432 XXX
Curtain 400 × 220 cm, PzS, 3/ incl. fastener set acrylic		350 01 759 434 XXX
Curtain 450 × 220 cm, PzS, 3/ incl. fastener set acrylic		350 01 759 436 XXX
Curtain 500 × 220 cm, PzS, 3/ incl. fastener set acrylic		350 01 759 438 XXX
Curtain 550 × 220 cm, PzS, 3/ incl. fastener set acrylic		350 01 759 440 XXX

§ fabric colour must be indicated

Accessories PALAZZO® Style / E

Order no.

Accessories PALAZZO® Style with crank	
⁶ Control Pz14 for LED, 1 × 230 V, 10 A (remote control with 3- or 7-channels absolutely necessary)	350 01 559 010
Control Pz14 for heating, 3 × 400 V, 16 A (remote control with 3- or 7-channels absolutely necessary)	350 01 559 020
⁶ Control Pz14 for LED and heater, 3 × 400 V, 16 A (7-channel remote control absolutely necessary)	350 01 559 030
⁶ Control Pz14 for LED and heater, 1 × 230 V, 16 A max. 2 radiant heaters 1500 W or 20 A max. 4 radiant heaters 1000 W (7-channel remote control absolutely necessary)	350 01 559 035
Accessories PALAZZO® Style E with motor (accessories absolutely necessary)	
Control Pz14 for motor, 1 × 230 V, 10 A (3-channel remote control absolutely necessary)	350 01 559 100
⁶ Control Pz14 for LED and motor, 1 × 230 V, 10 A (7-channel remote control absolutely necessary)	350 01 559 110
Control Pz14 for heating and motor, 3 × 400 V, 16 A (7-channel remote control absolutely necessary)	350 01 559 120
⁶ Control Pz14 for LED, heater and motor, 3 × 400 V, 16 A (7channel remote control absolutely necessary)	350 01 559 130
Electrical accessoires	
Remote control, for wall installation, IP20, 3-channel, white	350 01 555 270
Remote control, for wall installation, IP20, 7-channel, white	350 01 555 280
Remote control, incl. wall bracket, IP20, 7-channel, black	350 01 555 290
Radiant heater (infrared radiator), for housing with control, polished aluminium, 1500 W, 230 V, 6.5 A (incl. cable, max. 4 radiant heaters mountable per sunshade) (price for 1 radiant heater)	350 01 570 300
Radiant heater (infrared heater) for Pz14 controls, polished aluminium, 1500 W, 230 V, 6.5 A, (incl. cable, max. of 4 radiant heater per sunshade), (price given for one radiant heater)	350 01 570 320
Miscellaneous items	
High-grade steel kit (axis mounting and hinge set, 4 parts, lock) for use in corrosive environment	350 01 900 432
High-grade steel kit (axis mounting and hinge set, 6 parts, lock) for use in corrosive environment	350 01 900 632
High-grade steel kit (axis mounting and hinge set, 8 parts, lock) for use in corrosive environment	350 01 900 832
Strap system, PzS 350 × 300, 300 × 300	350 01 900 180
Strap system, PzS 400 × 300, 350 × 350	350 01 900 190
Strap system, PzS 450 × 350, 400 × 400	350 01 900 200
Strap system, PzS 500 × 400, 450 × 450	350 01 900 210
Strap system, PzS 550 × 450, 500 × 500	350 01 900 220
¹³ Impact protection for shade pole, grey, detachable, H = 85cm	350 01 906 200
¹ Base transporter for sockets weighing 120 kg, 180 kg, 240 kg, 430 kg and 620 kg	350 01 909 000

¹ while stocks last

⁶ LED version also as indirect lighting. The stripes are mounted/prepared on the forks. In addition, use article number 350 01 559 559.

¹³ Certain shade sizes require the removal of the impact protection before closing the shade. See closing height table (E)

PALAZZO® style / E – (crank/motor)

Nominal size	Lateral distance	Pole ϕ	Area covered	Slide distance	Height closed	Clear headroom	Total height	Height open	Foundation	Recommended minimum weight for base	max. wind speed open perm. ¹²
cm	cm	cm	m ²	cm	cm	cm	cm	cm	cm	kg	km/h (wind force)
A	AS	M	B	D	E	F	G	H	C		
ϕ 350 ⁹	325	10.5	8.7	65	174	200	359	302	80 × 80	180	115 (11)
ϕ 400 ⁹	370	10.5	11.3	65	148	200	356	302	80 × 80	180	90 (10)
ϕ 450 ⁹	415	10.5	14.3	65	152	200	383	302	80 × 80	180	75 (9)
ϕ 500 ⁹	460	10.5	17.7	65	144	200	399	302	100 × 100	240	65 (8)
ϕ 600 ⁹	554	10.5	25.5	65	98	200	402	302	120 × 120	430	55 (7)
350 × 300 ⁸	-	10.5	10.5	65	135	200	371	302	80 × 80	180	85 (9)
400 × 300 ⁸	-	10.5	12.0	65	115	200	370	302	80 × 80	180	70 (8)
450 × 350 ⁹	-	10.5	15.8	65	108	200	397	302	100 × 100	240	75 (9)
500 × 400 ⁹	-	10.5	20.0	76	94	200	422	319	100 × 100	430	60 (7)
550 × 450 ⁹	-	10.5	24.8	76	80	200	441	319	120 × 120	430	55 (7)
300 × 300 ⁷	-	10.5	9.0	65	152	200	371	302	80 × 80	180	85 (9)
350 × 350 ⁹	-	10.5	12.3	65	106	200	359	302	100 × 100	240	95 (10)
400 × 400 ⁹	-	10.5	16.0	65	116	200	403	302	100 × 100	240	80 (9)
450 × 450 ⁹	-	10.5	20.3	76	91	200	417	319	100 × 100	430	70 (8)
500 × 500 ⁹	-	10.5	25.0	76	80	200	439	319	120 × 120	430	60 (7)

⁷ 4 parts

⁸ 6 parts

⁹ 8 parts

¹² 10 km/h less with flounce

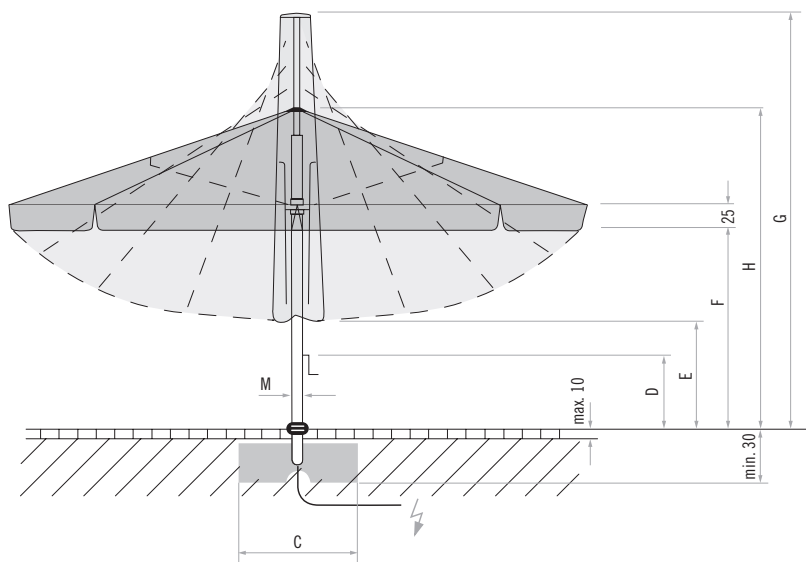
The above measures represent extrapolated average values that may be slightly different on the product ($\pm 2\% \pm 5$ cm).

Height dimensions are based on ground socket M4. These differ slightly depending on the type of base. Except for base M4, 180 kg plus 15.5 cm, 240 kg plus 19 cm.

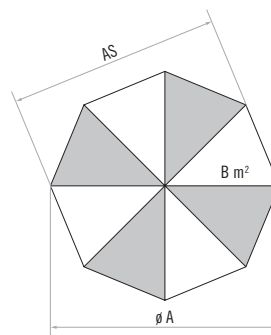
The max. wind speed limits as per our separate list apply only in the presence of a fix ground anchorage.

In the presence of several sunshades, the min. distance between one sunshade and another and between sunshades and walls shall be 20 cm.

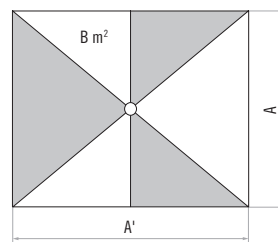
Opening and closing using a battery-operated drill is not permitted.



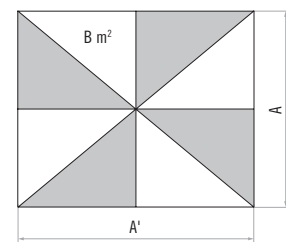
Loose cover max. 10 cm, concrete thickness min. 30 cm (pay attention to frost depth), water outflow, 1 supply line to electric.



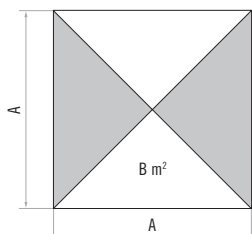
8 parts



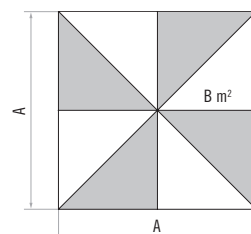
6 parts



8 parts



4 parts



8 parts



PALAZZO® Noblesse / E



- Frame:** 8, 10 or 12 rods made of aluminium, with twist-proof mast (incl. reinforcement ribs), with counter-rotating opening principle for convenient opening with only a few turns of the crank (handle).
- Frame colour:** Anodized natural
Additional charge for powder-coated sunshade frames in other RAL colours: Price upon enquiry
- Frameform:** Round, rectangular or square
- Drive:** With crank or with motor drive for greatest comfort
- Shade cover:** Tension can be adjusted using stepless strut extension, available in material class 5 (100% polyacrylic approx. 300g/m²)
- Flounce:** Available with or without
- Protective cover:** Optional

• Point of use • Fastenings



PALAZZO® Noblesse, Int. Patents reg. © Int. Design reg.

Nominal size PALAZZO® Noblesse / E

	Size without flounce	Number of rods	Material class 5 Colours 500 – 699	Order no. Frame with crank anodized natural	Motorisation surcharge	Order no. Frame with motor anodized natural
	cm					
○	Ø 450	8 parts		330 00 450 171		331 00 450 171
	Ø 500	8 parts		330 00 500 171		331 00 500 171
	Ø 600	10 parts		330 00 600 171		331 00 600 171
	Ø 700	10 parts		330 00 700 171		331 00 700 171
□	450 × 350	8 parts		330 00 451 171		331 00 451 171
	500 × 400	8 parts		330 00 502 171		331 00 502 171
	600 × 400	10 parts		330 00 622 171		331 00 622 171
	600 × 500	10 parts		330 00 623 171		331 00 623 171
□	400 × 400	8 parts		330 00 402 171		331 00 402 171
	450 × 450	8 parts		330 00 452 171		331 00 452 171
	500 × 500	8 parts		330 00 503 171		331 00 503 171
	500 × 500	12 parts		330 00 514 171		331 00 514 171
	550 × 550	12 parts		330 00 551 171		331 00 551 171
	600 × 600	12 parts		330 00 602 171		331 00 602 171

	Size with flounce	Number of rods	Material class 5 Colours 500 – 699	Order no. Frame with crank anodized natural	Motorisation surcharge	Order no. Frame with motor anodized natural
	cm					
○	Ø 450	8 parts		330 00 450 170		331 00 450 170
	Ø 500	8 parts		330 00 500 170		331 00 500 170
	Ø 600	10 parts		330 00 600 170		331 00 600 170
	Ø 700	10 parts		330 00 700 170		331 00 700 170
□	450 × 350	8 parts		330 00 451 170		331 00 451 170
	500 × 400	8 parts		330 00 502 170		331 00 502 170
	600 × 400	10 parts		330 00 622 170		331 00 622 170
	600 × 500	10 parts		330 00 623 170		331 00 623 170
□	400 × 400	8 parts		330 00 402 170		331 00 402 170
	450 × 450	8 parts		330 00 452 170		331 00 452 170
	500 × 500	8 parts		330 00 503 170		331 00 503 170
	500 × 500	12 parts		330 00 514 170		331 00 514 170
	550 × 550	12 parts		330 00 551 170		331 00 551 170
	600 × 600	12 parts		330 00 602 170		331 00 602 170

Fixing option M4 / M8 / M16 (Support tube or Tip-over hinge absolutely necessary)		
Base M4 / M8 / M16, 430 kg / 620 kg (8 or 12 concrete elements) 101.2 × 101.2 × 22–26 / 31–35 cm, galvanised steel (price without elements)		350 01 226 945
Mounting plate M4 / M8, 30 × 30 × 1.5 cm, galvanised steel		350 01 226 921
Fixing option M4 (support tube M4 absolutely necessary)		
Base M4, 240 kg, (for 16 plates 40 × 40 × 4 cm), 91 × 91 × 19 - 23 cm, zinc-plated steel (adjustable and levellable) (price without plates)		350 01 108 435
Cover for base M4, 88 × 88 × 5 cm, brushed aluminium (imitate)		350 01 100 400
Set of castors for base M4 (maximum weight 240kg), Ø 5 cm, H = 5.5 cm, galvanised steel		350 01 100 500
Ground socket M4, galvanised steel		350 01 226 510
Mounting plate M4 special, for installation height 50 – 149 mm, galvanised steel		350 01 226 932
Mounting plate M4 special, for installation height 150 – 350 mm, galvanised steel		350 01 226 930
Mounting plate M4 for isolated grounds, installation height made to measure, high-grade steel 1.4301 / 304		350 01 229 730
Support tube M4 with profile PzS / PzN, galvanised steel (with cover, adjustable and revellable)		350 01 227 040
Fixing option M8 (tip-over hinge M8 absolutely necessary)		
Ground socket M8, galvanised steel		350 01 226 000
Special mounting plate, M8, for heights of 50 – 149 mm, galvanised steel		350 01 229 707
Special mounting plate, M8, for heights of 150 – 350 mm, galvanised steel		350 01 229 705
Mounting plate, M8, for insulated base, height to order, high-grade steel 1.4301 / 304		350 01 229 732
Tip-over hinge M8 with profile PzS / PzN, galvanised steel (adjustable and revellable)		350 01 225 040
Concrete elements for base M4 / M8 / M16		
Concrete element set, 8 pieces, 48.3 × 48.3 × 9.4 cm, (ca. 385 kg), concrete		350 01 226 948
Concrete element set, 12 pieces, 49 × 49 × 9.4 cm, (ca. 570 kg), concrete		350 01 226 946
Slabs for base M4		
Slab set, 16 pieces, 40 × 40 × 4 cm, (ca. 220 kg), concrete		350 01 226 904
Slab set, 16 pieces, 40 × 40 × 4 cm, (ca. 225 kg), 12 pieces concrete, 4 pieces polished granite		350 01 226 903
Protective cover, coated polyester fabric	suitable for shade sizes in cm	
Protective cover with zip and rod, 325 × 90 cm	Ø 450 / Ø 500	350 01 609 811
Protective cover with zip and rod, 400 × 100 cm	Ø 600/450 × 350/500 × 400/550 × 450/400 × 400/450 × 450/500 × 500	350 01 609 821
Protective cover with zip and rod, 480 × 110 cm	Ø 700 / 600 × 500 / 550 × 550 / 600 × 600	350 01 609 831
§ Rain gutter and curtain (suitable only for square and rectangular sunshades)		
Rain gutter conical 350 cm, PzNS, 3/3, incl. fastener set acrylic / PVC		350 01 709 332 XXX
Rain gutter conical 400 cm, PzNS, 3/3, incl. fastener set acrylic / PVC		350 01 709 334 XXX
Rain gutter conical 450 cm, PzNS, 3/3, incl. fastener set acrylic / PVC		350 01 709 336 XXX
Rain gutter conical 500 cm, PzNS, 3/3, incl. fastener set acrylic / PVC		350 01 709 338 XXX
Rain gutter conical 500 cm, PzNS, 4/4, incl. fastener set acrylic / PVC		350 01 709 340 XXX
Rain gutter conical 500 cm, PzNS, 3/4, incl. fastener set acrylic / PVC		350 01 709 342 XXX
Rain gutter conical 500 cm, PzNS, 4/3, incl. fastener set acrylic / PVC		350 01 709 344 XXX
Rain gutter conical 550 cm, PzNS, 4/4, incl. fastener set acrylic / PVC		350 01 709 348 XXX
Rain gutter conical 600 cm, PzNS, 4/4, incl. fastener set acrylic / PVC		350 01 709 350 XXX
Curtain 350 × 230 cm, PzN, 3/ incl. fastener set acrylic		350 01 759 450 XXX
Curtain 400 × 230 cm, PzN, 3/ incl. fastener set acrylic		350 01 759 452 XXX
Curtain 450 × 230 cm, PzN, 3/ incl. fastener set acrylic		350 01 759 454 XXX
Curtain 500 × 230 cm, PzN, 3/ incl. fastener set acrylic		350 01 759 456 XXX
Curtain 500 × 230 cm, PzN, 4/ incl. fastener set acrylic		350 01 759 458 XXX
Curtain 550 × 230 cm, PzN, 4/ incl. fastener set acrylic		350 01 759 460 XXX
Curtain 600 × 230 cm, PzN, 4/ incl. fastener set acrylic		350 01 759 462 XXX

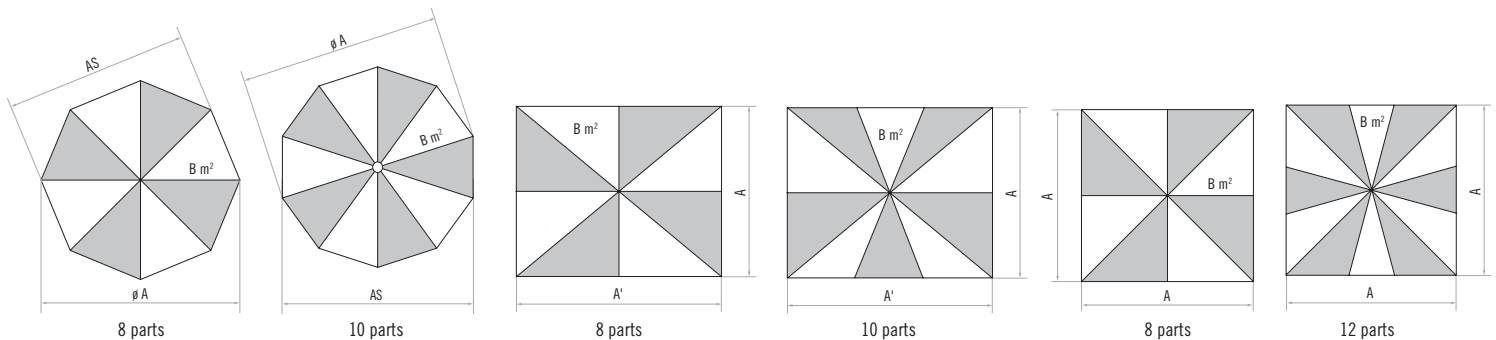
§ fabric colour must be indicated

Accessories PALAZZO® Noblesse with crank	
⁶ Control Pz14 for LED, 1 × 230 V, 10 A (remote control with 3- or 7-channels absolutely necessary)	350 01 559 010
Control Pz14 for heating, 3 × 400 V, 16 A (remote control with 3- or 7-channels absolutely necessary)	350 01 559 020
⁶ Control Pz14 for LED and heater, 3 × 400 V, 16 A (7-channel remote control absolutely necessary)	350 01 559 030
⁶ Control Pz14 for LED and heater, 1 × 230 V, 16 A max. 2 radiant heaters 1500 W or 20 A max. 4 radiant heaters 1000 W (7-channel remote control absolutely necessary)	350 01 559 035
Accessories PALAZZO® Noblesse with motor (accessories absolutely necessary)	
Control Pz14 for motor, 1 × 230 V, 10 A (3-channel remote control absolutely necessary)	350 01 559 100
⁶ Control Pz14 for LED and motor, 1 × 230 V, 10 A (7-channel remote control absolutely necessary)	350 01 559 110
Control Pz14 for heating and motor, 3 × 400 V, 16 A (7-channel remote control absolutely necessary)	350 01 559 120
⁶ Control Pz14 for LED, heater and motor, 3 × 400 V, 16 A (7-channel remote control absolutely necessary)	350 01 559 130
Electrical accessoires	
Remote control, for wall installation, IP20, 3-channel, white	350 01 555 270
Remote control, for wall installation, IP20, 7-channel, white	350 01 555 280
Remote control, incl. wall bracket, IP20, 7-channel, black	350 01 555 290
Radiant heater (infrared radiator), for housing with control, polished aluminium, 1500 W, 230 V, 6.5 A (incl. cable, max. 4 radiant heaters mountable per sunshade) (price for 1 radiant heater)	350 01 570 300
Radiant heater (infrared heater) for Pz14 controls, polished aluminium, 1500 W, 230 V, 6.5 A, (incl. cable, max. of 4 radiant heater per sunshade), (price given for one radiant heater)	350 01 570 320
Miscellaneous items	
High-grade steel kit (axis mounting and hinge set, 8 parts, lock) for use in corrosive environment	350 01 900 832
High-grade steel kit (axis mounting and hinge set, 10 parts, lock) for use in corrosive environment	350 01 901 032
High-grade steel kit (axis mounting and hinge set, 12 parts, lock) for use in corrosive environment	350 01 901 232
Strap system, PzN 450 × 350, 400 × 400	350 01 900 200
Strap system, PzN 500 × 400, 450 × 450	350 01 900 210
Strap system, PzN 500 × 500	350 01 900 220
Strap system, PzN 600 × 500, 550 × 550	350 01 900 230
Strap system, PzN 600 × 400	350 01 900 240
Strap system, PzN 600 × 600	350 01 900 250
¹³ Impact protection for shade pole, grey, detachable, H = 85cm	350 01 906 200
¹ Base transporter for sockets weighing 120 kg, 180 kg, 240 kg, 430 kg and 620 kg	350 01 909 000

¹ while stocks last

⁶ LED version also as indirect lighting. The stripes are mounted/prepared on the forks. In addition, use article number 350 01 559 559.

¹³ Certain shade sizes require the removal of the impact protection before closing the shade. See closing height table (E)



PALAZZO® Noblesse / E – (crank/motor)

Nominal size	Lateral distance	Pole \varnothing	Area covered	Crank height	Height closed	Clear headroom	Total height	Height open	Foundation	Recommended minimum weight for base	max. wind speed open perm. ¹²
cm	cm	cm	m ²	cm	cm	cm	cm	cm	cm	kg	km/h (wind force)
A	AS	M	B	D	E	F	G	H	C		
$\varnothing 450$ ⁹	416	10.5	14.3	69	160	210	393	310	100 × 100	240	85 (9)
$\varnothing 500$ ⁹	462	10.5	17.7	69	150	210	409	310	100 × 100	240	75 (9)
$\varnothing 600$ ¹⁰	571	10.5	27.0	69	105	210	412	310	125 × 125	430	80 (9)
$\varnothing 700$ ¹⁰	665	10.5	36.8	88	85	210	444	330	135 × 135	620	70 (8)
450 × 350 ⁹	-	10.5	15.8	69	115	210	407	310	100 × 100	240	85 (9)
500 × 400 ⁹	-	10.5	20.0	88	100	210	430	329	100 × 100	430	70 (8)
600 × 400 ¹⁰	-	10.5	24.0	70	80	210	455	350	135 × 135	430	75 (9)
600 × 500 ¹⁰	-	10.5	30.0	70	82	210	486	350	135 × 135	430	70 (8)
400 × 400 ⁹	-	10.5	16.0	69	125	210	410	310	100 × 100	240	95 (10)
450 × 450 ⁹	-	10.5	20.3	88	100	210	427	330	120 × 120	430	80 (9)
500 × 500 ⁹	-	10.5	25.0	88	82	210	444	329	120 × 120	430	70 (8)
500 × 500 ¹¹	-	10.5	25.0	88	80	210	443	329	125 × 125	430	85 (9)
550 × 550 ¹¹	-	10.5	30.3	70	92	210	494	350	135 × 135	430	75 (9)
600 × 600 ¹¹	-	10.5	36.0	70	80	210	513	349	135 × 135	620	65 (8)

⁹ 8 parts

¹⁰ 10 parts

¹¹ 12 parts

¹² 10 km/h less with flounce

The above measures represent extrapolated average values that may be slightly different on the product ($\pm 2\% \pm 5$ cm).

The measures of the height are determined by the M4 / M8 ground socket. If one of the offered bases is used, these measures change only slightly.

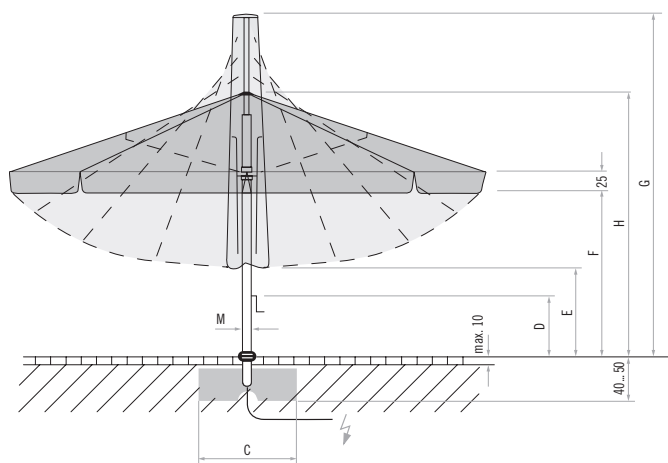
Except for base M4, 180 kg plus 15.5 cm, 240 kg plus 19 cm.

The max. wind speed limits as per our separate list apply only in the presence of a fix ground anchorage.

In the presence of several sunshades, the min. distance between one sunshade and another and between sunshades and walls shall be 20 cm.

Opening and closing using a battery-operated drill is not permitted.

The TÜV test certificate does not apply to the declared windspeed, as the test institute was not present during the wind tunnel tests.



Loose cover max. 10 cm, concrete thickness min. 30 cm
(pay attention to frost depth), water outflow,
1 supply line to electric.



PALAZZO® Royal / E



Frame: 10 or 12 rods made of aluminium, with twist-proof mast (incl. reinforcement ribs), with counter-rotating opening principle for convenient opening with only a few turns of the crank.

• Point of use • Fastenings

Frame colour: Anodized natural
Additional charge for powder-coated sunshade frames in other RAL colours: Price upon enquiry.

Frameform: Round, rectangular or square

Drive: With crank or with motor drive for greatest comfort

Shade cover: Available in material class 5 (100% polyacrylic approx. 300g/m²)

Flounce: Available with or without

Protective cover: Optional

Important: Final assembly of the sunshade to be carried out on-site. The price does not include assembly.



PALAZZO® Royal, Int. Patents reg. ©Int. Design reg.

Nominal size PALAZZO® Royal / E

	Size without flounce	Number of rods	Material class 5 Colours 500 – 699	Order no. Frame with crank anodized natural	Motorisation surcharge	Order no. Frame with motor anodized natural
	cm					
○	∅ 700	10 parts		340 00 700 171		341 00 700 171
	∅ 800	10 parts		340 00 800 171		341 00 800 171
□	600 × 500	10 parts		340 00 623 171		341 00 623 171
	700 × 500	10 parts		340 00 701 171		341 00 701 171
	700 × 600	10 parts		340 00 702 171		341 00 702 171
	800 × 600	12 parts		340 00 802 171		341 00 802 171
□	600 × 600	12 parts		340 00 602 171		341 00 602 171
	650 × 650	12 parts		340 00 651 171		341 00 651 171
	700 × 700	12 parts		340 00 703 171		341 00 703 171

	Size with flounce	Number of rods	Material class 5 Colours 500 – 699	Order no. Frame with crank anodized natural	Motorisation surcharge	Order no. Frame with motor anodized natural
	cm					
○	∅ 700	10 parts		340 00 700 170		341 00 700 170
	∅ 800	10 parts		340 00 800 170		341 00 800 170
□	600 × 500	10 parts		340 00 623 170		341 00 623 170
	700 × 500	10 parts		340 00 701 170		341 00 701 170
	700 × 600	10 parts		340 00 702 170		341 00 702 170
	800 × 600	12 parts		340 00 802 170		341 00 802 170
□	600 × 600	12 parts		340 00 602 170		341 00 602 170
	650 × 650	12 parts		340 00 651 170		341 00 651 170
	700 × 700	12 parts		340 00 703 170		341 00 703 170

Accessories PALAZZO® Royal / E

Order no.

Fixing option M4 / M8 / M16 (tip-over hinge absolutely necessary)		
Base M4 / M8 / M16, 620 kg (12 concrete elements) 101.2 × 101.2 × 22–26 / 31–35 cm, galvanised steel (price without elements)		350 01 226 945
Fixing option M16 (tip-over hinge M16 absolutely necessary)		
Ground socket M16, galvanised steel		350 01 226 001
Mounting plate M16, 40 × 40 × 1.5 cm, galvanised steel		350 01 229 701
Mounting plate M16 special, for installation height 50 – 149 mm, galvanised steel		350 01 229 712
Mounting plate M16 special, for installation height 150 – 350 mm, galvanised steel		350 01 229 710
Mounting plate M16 for isolated grounds, installation height made to measure, high-grade steel 1.4301 / 304		350 01 229 734
Tip-over hinge M16 with PzR profile, galvanised steel (with cover, adjustable and revellable)		350 01 225 045
Concrete elements for base M4 / M8 / M16		
Concrete element set, 12 pieces, 49 × 49 × 9.4 cm, (approx. 570 kg), concrete		350 01 226 946
Protective cover, coated polyester fabric	suitable for shade sizes in cm	
Protective cover with zip and rod, 480 × 110 cm	∅ 700 / 600 × 500 / 550 × 550 / 600 × 600	350 01 609 831
Protective cover with zip and rod, 555 × 120 cm	700 × 600 / 800 × 600 / 650 × 650 / 700 × 700	350 01 609 841
⁵ Rain gutter and curtain (suitable only for square and rectangular sunshades)		
Rain gutter conical 600 cm, PzR, 3/3, incl. fastener set acrylic / PVC		350 01 709 362 XXX
Rain gutter conical 600 cm, PzR, 4/4, incl. fastener set acrylic / PVC		350 01 709 364 XXX
Rain gutter conical 600 cm, PzR, 3/4, incl. fastener set acrylic / PVC		350 01 709 366 XXX
Rain gutter conical 600 cm, PzR, 4/3, incl. fastener set acrylic / PVC		350 01 709 368 XXX
Rain gutter conical 650 cm, PzR, 4/4, incl. fastener set acrylic / PVC		350 01 709 370 XXX
Rain gutter conical 700 cm, PzR, 4/4, incl. fastener set acrylic / PVC		350 01 709 372 XXX
Rain gutter conical 800 cm, PzR, 4/4, incl. fastener set acrylic / PVC		350 01 709 374 XXX
Curtain 500 × 255 cm, PzR, 3/ incl. fastener set acrylic		350 01 759 470 XXX
Curtain 600 × 255 cm, PzR, 3/ incl. fastener set acrylic		350 01 759 472 XXX
Curtain 600 × 255 cm, PzR, 4/ incl. fastener set acrylic		350 01 759 474 XXX
Curtain 650 × 255 cm, PzR, 4/ incl. fastener set acrylic		350 01 759 476 XXX
Curtain 700 × 255 cm, PzR, 4/ incl. fastener set acrylic		350 01 759 478 XXX
Curtain 800 × 255 cm, PzR, 4/ incl. fastener set acrylic		350 01 759 480 XXX
Accessories PALAZZO® Royal with crank		
⁶ Control Pz14 for LED, 1 × 230 V, 10 A (remote control with 3- or 7-channels absolutely necessary)		350 01 559 010
Control Pz14 for heating, 3 × 400 V, 16 A (remote control with 3- or 7-channels absolutely necessary)		350 01 559 020
⁶ Control Pz14 for LED and heater, 3 × 400 V, 16 A (7-channel remote control absolutely necessary)		350 01 559 030
⁶ Control Pz14 for LED and heater, 1 × 230 V, 16 A max. 2 radiant heaters 1500 W or 20 A max. 4 radiant heaters 1000 W (7-channel remote control absolutely necessary)		350 01 559 035
Accessories PALAZZO® Royal E with motor (accessories absolutely necessary)		
Control Pz14 for motor, 1 × 230 V, 10 A (3-channel remote control absolutely necessary)		350 01 559 100
⁶ Control Pz14 for LED and motor, 1 × 230 V, 10 A (7-channel remote control absolutely necessary)		350 01 559 110
Control Pz14 for heating and motor, 3 × 400 V, 16 A (7-channel remote control absolutely necessary)		350 01 559 120
⁶ Control Pz14 for LED, heater and motor, 3 × 400 V, 16 A (7channel remote control absolutely necessary)		350 01 559 130
Electrical accessoires		
Remote control, for wall installation, IP20, 3-channel, white		350 01 555 270
Remote control, for wall installation, IP20, 7-channel, white		350 01 555 280
Remote control, incl. wall bracket, IP20, 7-channel, black		350 01 555 290
Radiant heater (infrared radiator), for housing with control, polished aluminium, 1500 W, 230 V, 6.5 A (incl. cable, max. 4 radiant heaters mountable per sunshade) (price for 1 radiant heater)		350 01 570 300
Radiant heater (infrared heater) for Pz14 controls, polished aluminium, 1500 W, 230 V, 6.5 A, (incl. cable, max. of 4 radiant heater per sunshade), (price given for one radiant heater)		350 01 570 320
Miscellaneous items		
High-grade steel kit (axis mounting and hinge set, 10 parts, lock) for use in corrosive environment		350 01 901 032
High-grade steel kit (axis mounting and hinge set, 12 parts, lock) for use in corrosive environment		350 01 901 232
Strap system, PzR 600 × 500		350 01 900 260
Strap system, PzR 700 × 500, 600 × 600		350 01 900 270
Strap system, PzR 700 × 600, 800 × 600, 650 × 650, 700 × 700		350 01 900 280
¹³ Impact protection for shade pole, grey, detachable, H = 85cm		350 01 906 300
¹ Base transporter for sockets weighing 120 kg, 180 kg, 240 kg, 430 kg and 620 kg		350 01 909 000

¹ while stocks last

⁵ fabric colour must be indicated

⁶ LED version also as indirect lighting. The stripes are mounted/prepared on the forks. In addition, use article number 350 01 559 559.

¹³ Certain shade sizes require the removal of the impact protection before closing the shade. See closing height table (E)

PALAZZO® Royal / E – (crank/motor)

Nominal size	Lateral distance	Pole \varnothing	Area covered	Crank height	Height closed	Clear headroom	Total height	Height open	Foundation	Recommended minimum weight for base	max. wind speed open perm. ¹²
cm	cm	cm	m ²	cm	cm	cm	cm	cm	cm	kg	km/h (wind force)
A	AS	M	B	D	E	F	G	H	C		
\varnothing 700 ¹⁰	665	12.0	36.0	85	135	230	494	367	135 × 135	620	80 (9)
\varnothing 800 ¹⁰	760	12.0	49.0	85	110	230	518	367	150 × 150	-	70 (8)
600 × 500 ¹⁰	-	12.0	30.0	85	99	230	497	367	125 × 125	620	80 (9)
700 × 500 ¹⁰	-	12.0	35.0	85	80	230	518	367	135 × 135	620	75 (9)
700 × 600 ¹⁰	-	12.0	42.0	82	80	230	564	428	150 × 150	620	70 (8)
800 × 600 ¹¹	-	12.0	48.0	82	70	230	591	428	150 × 150	-	60 (7)
600 × 600 ¹¹	-	12.0	36.0	85	83	230	515	367	135 × 135	620	90 (10)
650 × 650 ¹¹	-	12.0	42.3	82	82	230	565	428	150 × 150	620	85 (9)
700 × 700 ¹¹	-	12.0	49.0	82	78	230	595	428	150 × 150	-	75 (9)

¹⁰ 10 parts

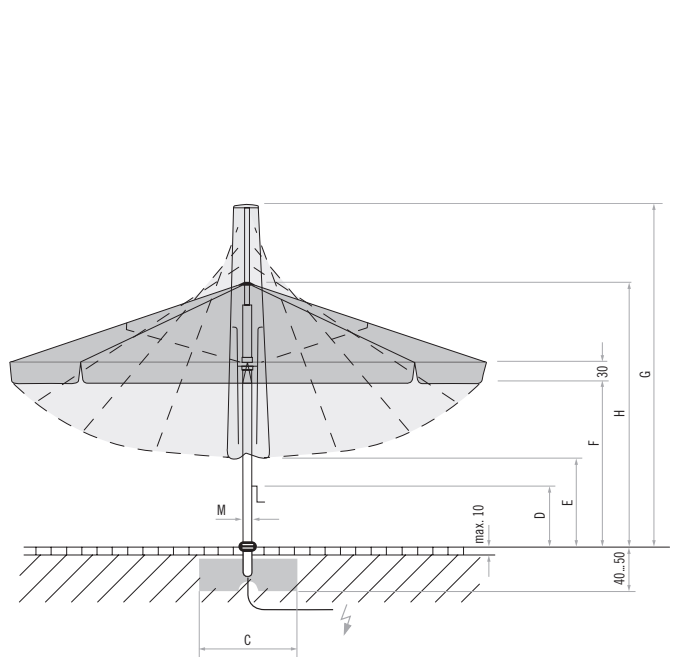
¹¹ 12 parts

¹² 10 km/h less with flounce

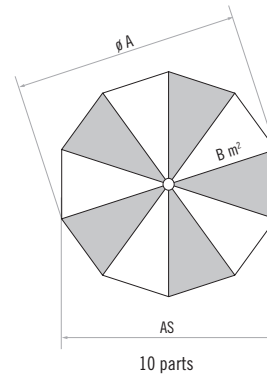
The above measures represent extrapolated average values that may be slightly different on the product ($\pm 2\% \pm 5$ cm).
The measures of the height are determined by the M16 ground socket. If one of the offered bases is used, these measures change only slightly.
In the presence of several sunshades, the min. distance between one sunshade and another and between sunshades and walls shall be 20 cm.
The max. wind speed limits as per our separate list apply only in the presence of a fix ground anchorage.

Opening and closing using a battery-operated drill is not permitted.

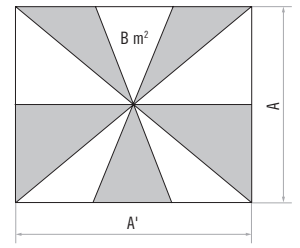
The TÜV test certificate does not apply to the declared windspeed, as the test institute was not present during the wind tunnel tests.



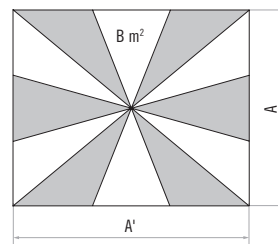
Loose cover max. 10 cm, concrete thickness min. 30 cm
(pay attention to frost depth), water outflow,
1 supply line to electric.



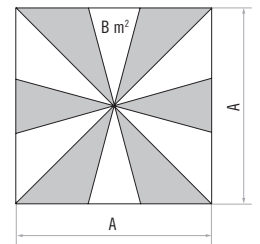
10 parts



10 parts



12 parts



12 parts

Your nearest GLATZ representative:



Glatz

Shade in Swiss Quality

