

A close-up, black and white photograph of HunterDouglas Plissé & Duette Shades. The image shows the intricate pleated structure of the shades, with multiple layers of fabric creating a complex, geometric pattern. The lighting highlights the texture and depth of the folds. The background is dark, making the lighter fabric stand out.

Plissé & Duette® Shades

HunterDouglas® Plissé & Duette® Shades combine stylish window treatments with super control of daylight, heat transfer and privacy guaranteeing sophisticated styling, optimal functionality and user comfort

HunterDouglas

WINDOW COVERINGS

Plissé & Duette® Shades

Stylish window treatments
with super control



DESIGN FLEXIBILITY

With Plissé & Duette® Shades we can cover almost every window shape, from a triangle up to a hexagonal window. We offer 96 window models each for recess fix as well as face fix. There are no longer limits on designing window shapes for buildings, you will mostly find a solution to realize your ideas.

EASY INSTALLATION

The Plissé & Duette® Shades hardware systems have been designed to offer the best mounting solutions in most situations. Whether Plissé & Duette® Shades need to be installed on the beading, on the window frame, in recess or on the wall, we offer models and options to create the perfect fit.

SUSTAINABILITY

From studies we know that 48% of all heat loss goes through the window. Thanks to its unique honeycomb Fixé construction, a HunterDouglas® Duette Shade can save up to 50% of heat loss through the window during wintertime, and can prevent heat from coming in during summertime.

- Duette® translucent fabrics can save up to 40% of heat loss
- Duette® black out fabrics can save up to 50% of heat loss through the window

Conclusion: energy efficiency saves money!!!



ENERGY & LIGHT

HunterDouglas® Plissé & Duette® Shades are designed to improve indoor environmental quality and conserve energy. These systems help create built environments that are comfortable, healthy, productive, and sustainable. Our engineering and production processes minimize embodied environmental impact while meeting the highest standards for commercial, hospitality, industrial, institutional, and commercial applications. In order to obtain the optimal shading performance for a building and its occupants we developed compute simulation and calculation tools. Our project support team can analyze, visualize and optimize Window Covering Solutions with the HunterDouglas® Energy and Light Tool.

CONTENT	Page
Model AK/AE	2 - 3
Model BK/BE	4 - 5
Model PR/PE	6 - 7
Model AB	8
Finishes & Specials Dimensions of Systems	9
Indoor Environmental Quality & Productivity	10
Energy and Light Tool	11

Innovative Products Make Innovative Projects



HunterDouglas

Model AK

PLISSÉ OR DUETTE® SHADE TYPE AK10

Free-hanging system for rectangular vertical windows. Ball chain operation.

PLEATED FABRIC FROM POLYESTER MATERIAL, PLEAT WIDTHS

- 20 mm for Plissé fabrics
- 25 mm for Duette® Fixé fabrics
- 32 mm for Duette® Fixé fabrics

All fabrics are attached to the head rail.

ALUMINIUM MATERIALS

Top and bottom rails in colours:

- white (similar to RAL 9016 ST)
- Magnolia (RAL 9001)
- silver metallic (similar to RAL 9006 ST)
- brown (matching to RAL 8019 ST)
- anthracite metallic (similar to DB 703 ST) powdercoated to Qualicoat® specifications.

Other RAL colours upon request.

20 MM PLISSÉ SHADE AND 25 MM DUETTE® FIXÉ SHADE

Dimensions of headrail: type AK10

- depth 34 mm
- height 35 mm

Dimensions of bottom rail

- depth 24 mm
- height 12 mm

32 MM DUETTE® FIXÉ SHADE

Dimensions of headrail: type AK10

- depth 34 mm
- height 35 mm

Dimensions of bottom rail

- depth 36 mm
- height 12 mm

OPERATION

Looped ball chain mechanism max. pull force 5 kg up till 6 m², transmission 1:1 (for surfaces 6 m² - 8 m² the transmission is 3:1).

Option: Type A010

Integrated cord lock max. 5 m² of fabric.

Note: Dimensions of head rail varies.

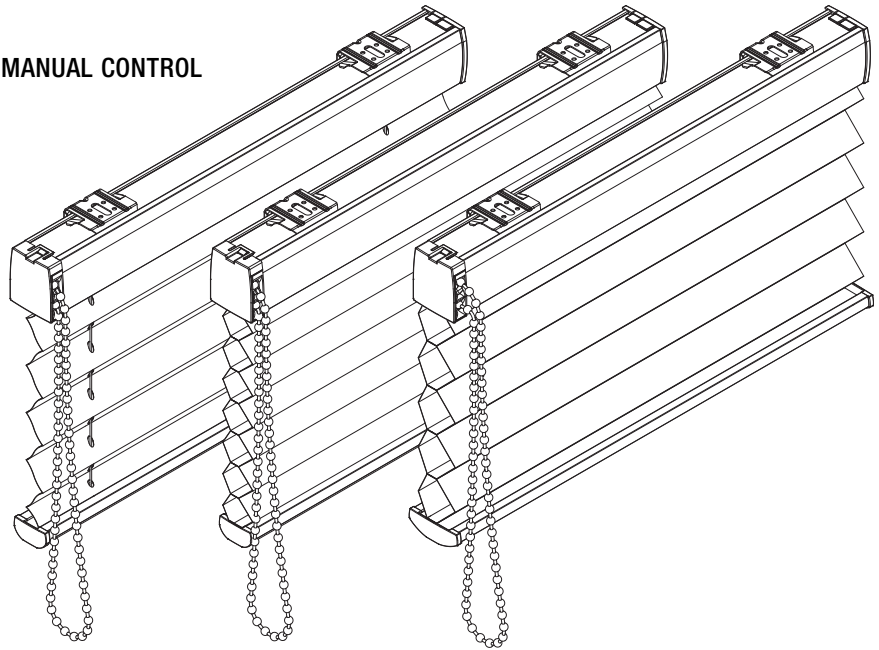
Dimensions of headrail: 20/25 mm

- depth 26 mm
- height 15 mm

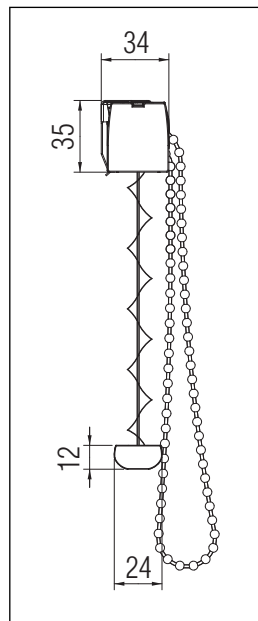
Dimensions of headrail: 32 mm

- depth 37 mm
- height 15 mm

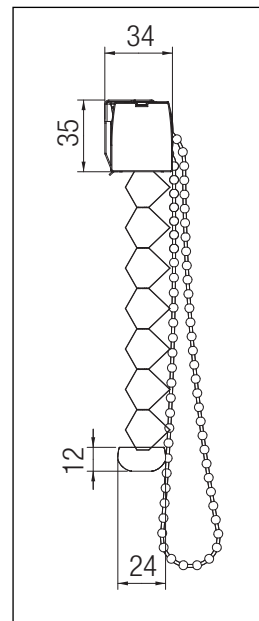
MANUAL CONTROL



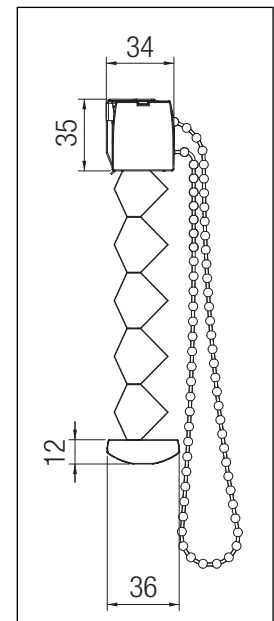
Plissé and Duette® Shade systems with chain operation



Plissé Shade 20 mm



Duette® Fixé Shade 25 mm



Duette® Fixé Shade 32 mm

MOUNTING

Attachment using hidden brackets for face and recess mounting, with plastic cover plates in matching colours.

OPTIONS

Mounting in combination with brackets for PVC windows, ventilation spacers, side cover profiles and mounting profiles available at an upcharge.

Model AE

PLISSÉ OR DUETTE® SHADE TYPE AE10

Free-hanging system for rectangular vertical windows.

PLEATED FABRIC FROM POLYESTER MATERIAL, PLEAT WIDTHS

- 20 mm for Plissé fabrics
- 25 mm for Duette® Fixé fabrics
- 32 mm for Duette® Fixé fabrics

All fabrics are attached to the head rail.

ALUMINIUM MATERIALS

Top and bottom rails in colours:

- white (similar to RAL 9016 ST)
- Magnolia (RAL 9001)
- silver metallic (similar to RAL 9006 ST)
- brown (matching to RAL 8019 ST)
- anthracite metallic (similar to DB 703 ST) powdercoated to Qualicoat® specifications.

Other RAL colours upon request.

20 MM PLISSÉ SHADE AND 25 MM DUETTE® FIXÉ SHADE

Dimensions of head rail

- depth 34 mm
- height 35 mm

Dimensions of bottom rail

- depth 24 mm
- height 12 mm

32 MM DUETTE® FIXÉ SHADE

Dimensions of head rail

- depth 34 mm
- height 35 mm

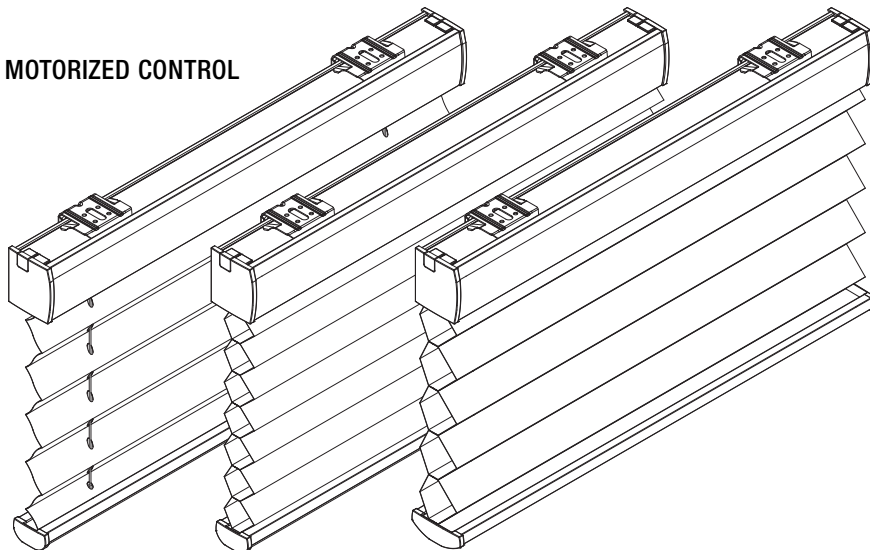
Dimensions of bottom rail

- depth 36 mm
- height 12 mm

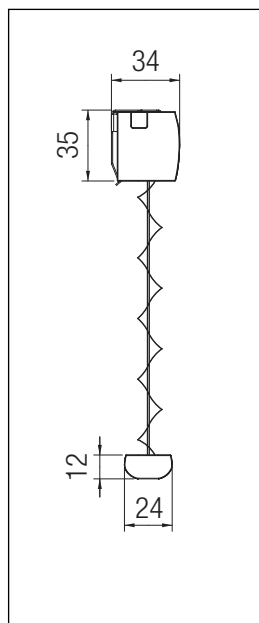
OPERATION

Motorized with 24V electric motor completed with an HT24V/230V power supply, and choice of operation options at an upcharge (switch or remote control). Can be combined with group and automatic controls, standard with an automatic resetting short-circuit protection.

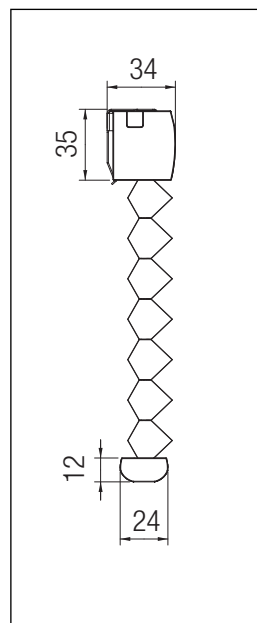
MOTORIZED CONTROL



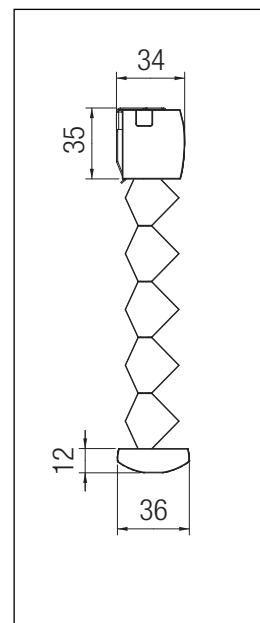
Plissé and Duette® Shade systems with electrical operation



Plissé Shade 20 mm



Duette® Fixé Shade 25 mm



Duette® Fixé Shade 32 mm

MOUNTING

Attachment using hidden brackets for face and recess mounting, with plastic cover plates in matching colours.

OPTIONS

Mounting in combination with brackets for PVC windows, ventilation spacers, side cover profiles and mounting profiles available at an upcharge.

Model BK

PLISSÉ OR DUETTE® SHADE TYPE BK10

System with tension cords for rectangular vertical windows, doors and tilt-and-turn windows. Ball chain operation.

PLEATED FABRIC FROM POLYESTER MATERIAL, PLEAT WIDTHS

- 20 mm for Plissé fabrics
- 25 mm for Duette® Fixé fabrics
- 32 mm for Duette® Fixé fabrics

All fabrics are attached to the head rail.

ALUMINIUM MATERIALS

Top and bottom rails in colours:

- white (similar to RAL 9016 ST)
- Magnolia (RAL 9001)
- silver metallic (similar to RAL 9006 ST)
- brown (matching to RAL 8019 ST)
- anthracite metallic (similar to DB 703 ST) powdercoated to Qualicoat® specifications.

Other RAL colours upon request.

20 MM PLISSÉ SHADE AND 25 MM DUETTE® FIXÉ SHADE

Dimensions of head rail: type BK10

- depth 34 mm
- height 35 mm

Dimensions of shuttle rail

- depth 24 mm
- height 20 mm

32 MM DUETTE® FIXÉ SHADE

Dimensions of head rail: type BK10

- depth 34 mm
- height 35 mm

Dimensions of shuttle rail

- depth 36 mm
- height 20 mm

OPERATION

Looped ball chain mechanism max. pull force 5 kg up till 6 m², transmission 1:1 (for surfaces 6 m² - 8 m² the transmission is 3:1).

Option: Type B010

Integrated cord lock max. 5 m² of fabric.

Note: Dimensions of head rail varies.

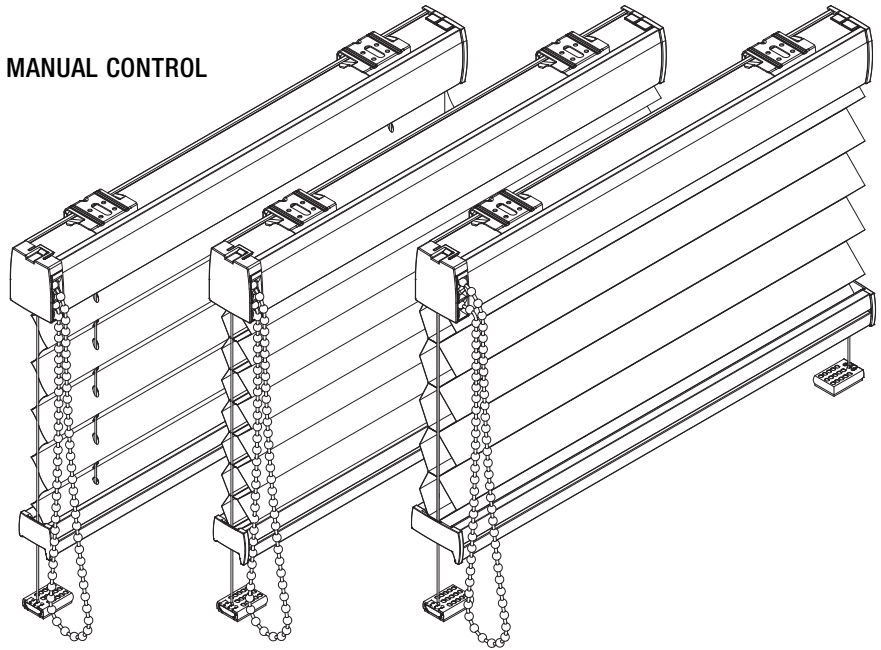
Dimensions of headrail: 20/25 mm

- depth 26 mm
- height 15 mm

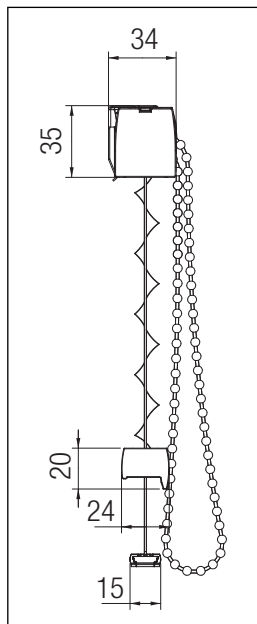
Dimensions of headrail: 32 mm

- depth 37 mm
- height 15 mm

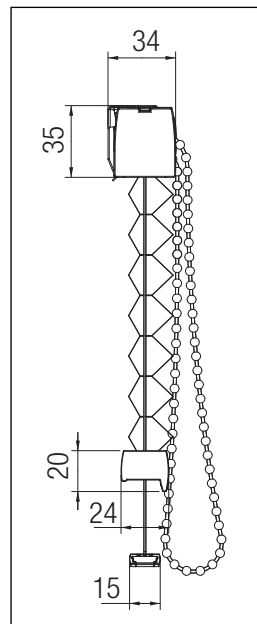
MANUAL CONTROL



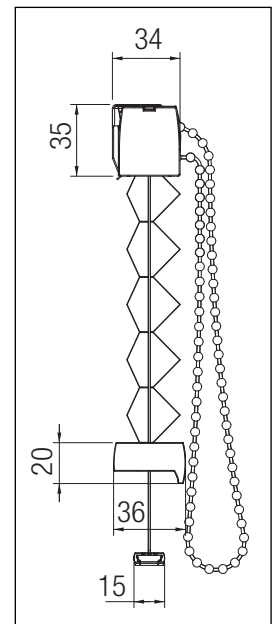
Plissé and Duette® Shade systems with chain operation



Plissé Shade 20 mm



Duette® Fixé Shade 25 mm



Duette® Fixé Shade 32 mm

MOUNTING

Head rail attachment using hidden brackets for face and recess mounting, with plastic cover plates in matching colours, attachment of horizontally adjustable fixing plates at the bottom.

OPTIONS

Mounting in combination with brackets for PVC windows, ventilation spacers, side cover profiles and mounting profiles available at an upcharge.

Model BE

PLISSÉ OR DUETTE® SHADE TYPE BE10

System with tension cords for rectangular vertical windows, doors and tilt-and-turn windows.

PLEATED FABRIC FROM POLYESTER MATERIAL, PLEAT WIDTHS

- 20 mm for Plissé fabrics
 - 25 mm for Duette® Fixé fabrics
 - 32 mm for Duette® Fixé fabrics
- All fabrics are attached to the head rail.

ALUMINIUM MATERIALS

Top and bottom rails in colours:

- white (similar to RAL 9016 ST)
- Magnolia (RAL 9001)
- silver metallic (similar to RAL 9006 ST)
- brown (matching to RAL 8019 ST)
- anthracite metallic (similar to DB 703 ST) powdercoated to Qualicoat® specifications.

Other RAL colours upon request.

20 MM PLISSÉ SHADE AND 25 MM DUETTE® FIXÉ SHADE

Dimensions of head rail

- depth 34 mm
- height 35 mm

Dimensions of shuttle rail

- depth 24 mm
- height 20 mm

32 MM DUETTE® FIXÉ SHADE

Dimensions of head rail

- depth 34 mm
- height 35 mm

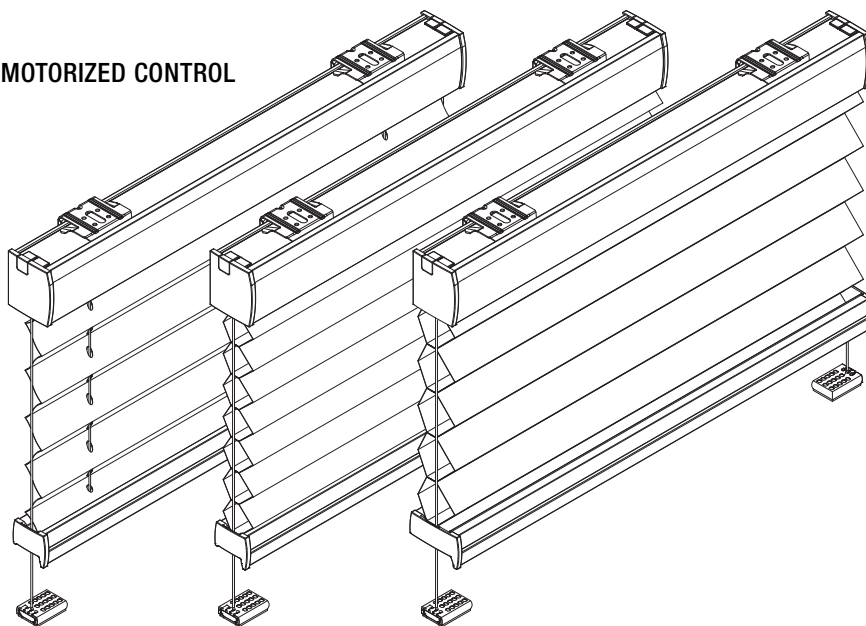
Dimensions of shuttle rail

- depth 36 mm
- height 20 mm

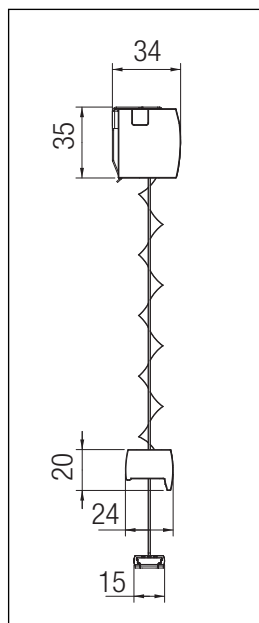
OPERATION

Motorized with 24V electric motor completed with an HT24V/230V power supply, and choice of operation options at an upcharge (switch or remote control). Can be combined with group and automatic control, standard with an automatic resetting short-circuit protection.

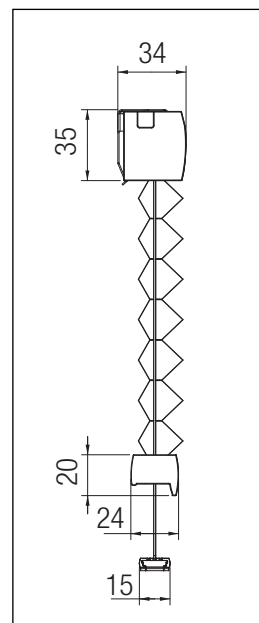
MOTORIZED CONTROL



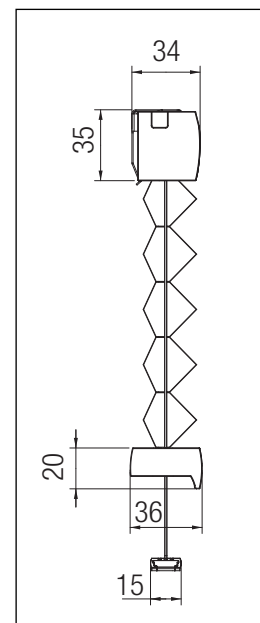
Plissé and Duette® Shade systems with electrical operation



Plissé Shade 20 mm



Duette® Fixé Shade 25 mm



Duette® Fixé Shade 32 mm

MOUNTING

Head rail attachment using hidden brackets for face and recess mounting, with plastic cover plates, in matching colours, attachment of horizontally adjustable fixing plates at the bottom.

OPTIONS

Mounting in combination with brackets for PVC windows, ventilation spacers, side cover profiles and mounting profiles available at an extra upcharge.

Model PR

PLISSÉ OR DUETTE® SHADE TYPE PR10

System with tension cable for rectangular roof windows or skylights, inclination from 45° to the vertical plane to 90° horizontal. Crank operation.

PLEATED FABRIC FROM POLYESTER MATERIAL, PLEAT WIDTHS

- 20 mm for Plissé fabrics
 - 25 mm for Duette® Fixé fabrics
 - 32 mm for Duette® Fixé fabrics
- All fabrics are attached to the head rail.

ALUMINIUM MATERIALS

Top and bottom rails in colours:

- white (similar to RAL 9016 ST)
- Magnolia (RAL 9001)
- silver metallic (similar to RAL 9006 ST)
- brown (matching to RAL 8019 ST)
- anthracite metallic (similar to DB 703 ST) powdercoated to Qualicoat® specifications.

Other RAL colours upon request.

20 MM PLISSÉ SHADE AND 25 MM DUETTE® FIXÉ SHADE

Dimensions of head rail

- depth 34 mm
- height 35 mm

Dimensions of shuttle profile

- depth 24 mm
- height 20 mm

Dimensions of tension profile

- depth 18 mm
- height 8 mm

32 MM DUETTE® FIXÉ SHADE

Dimensions of head rail

- depth 34 mm
- height 35 mm

Dimensions of shuttle profile

- depth 36 mm
- height 20 mm

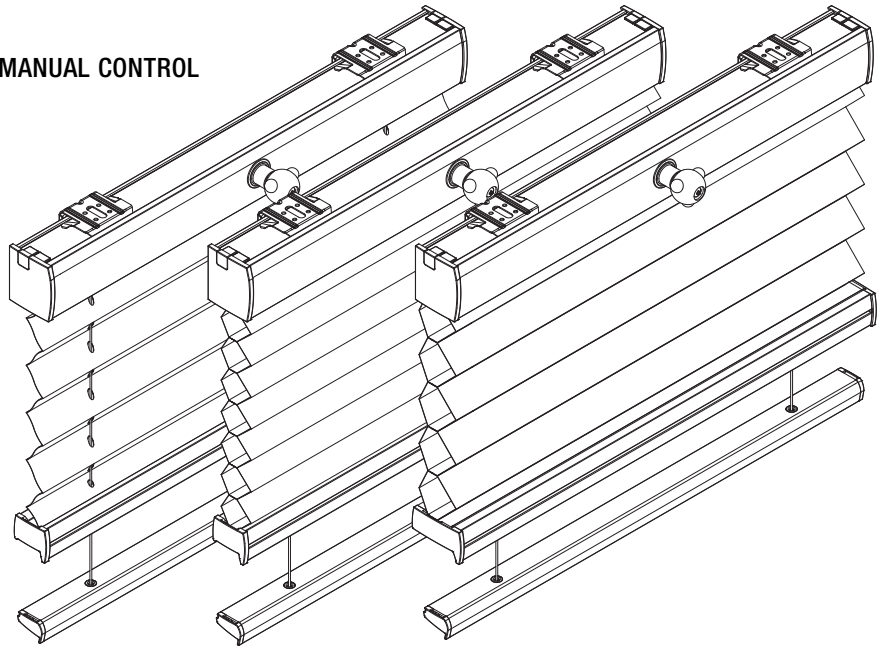
Dimensions of tension profile

- depth 18 mm
- height 8 mm

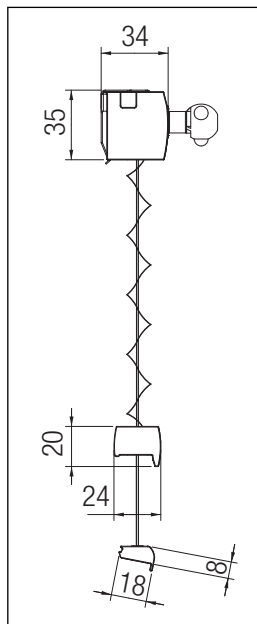
OPERATION

With crank operation via bevel gearing, speed reduction 1:1, self-braking, crank rod and face fix holders. The shuttle rail can be set to any desired position, adjustable blind height.

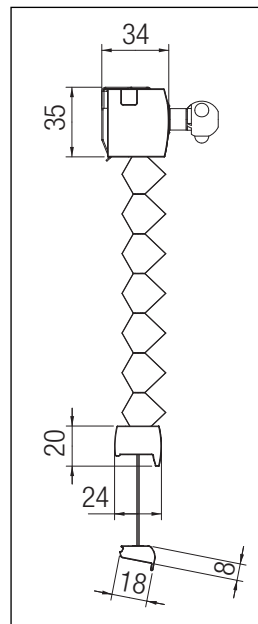
MANUAL CONTROL



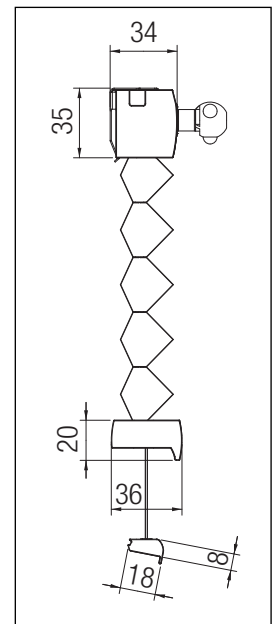
Plissé and Duette® Fixé Shade systems with crank operation



Plissé Shade 20 mm



Duette® Fixé Shade 25 mm



Duette® Fixé Shade 32 mm

TENSIONING

Permanent, tensioned with patented slide tensioners, UV-resistant, grey steel wires, wire distance approx. 150-500 mm depending the chosen fabrics.

MOUNTING

Rails mounted using hidden brackets for face and recess mounting, with plastic cover plates, in matching colours. Surface mounting of tension profile using invisible face fix brackets.

OPTIONS

Mounting in combination with side cover profiles and mounting profiles possible at an upcharge.

Model PE

PLISSÉ OR DUETTE® SHADE TYPE PE10

System with tension cable for rectangular ceiling windows or skylights, inclination from 45° to the vertical plane to 90° horizontal.

PLEATED FABRIC FROM POLYESTER MATERIAL, PLEAT WIDTHS

- 20 mm for Plissé fabrics
 - 25 mm for Duette® Fixé fabrics
 - 32 mm for Duette® Fixé fabrics
- All fabrics are attached to the head rail.

ALUMINIUM MATERIALS

Top and bottom rails in colours:

- white (similar to RAL 9016 ST)
- Magnolia (RAL 9001)
- silver metallic (similar to RAL 9006 ST)
- brown (matching to RAL 8019 ST)
- anthracite metallic (similar to DB 703 ST) powdercoated to Qualicoat® specifications.

Other RAL colours upon request.

20 MM PLISSÉ SHADE AND 25 MM DUETTE® FIXÉ SHADE

Dimensions of head rail

- depth 34 mm
- height 35 mm

Dimensions of shuttle profile

- depth 24 mm
- height 20 mm

Dimensions of tension profile

- depth 18 mm
- height 8 mm

32 MM DUETTE® FIXÉ SHADE

Dimensions of head rail

- depth 34 mm
- height 35 mm

Dimensions of shuttle profile

- depth 36 mm
- height 20 mm

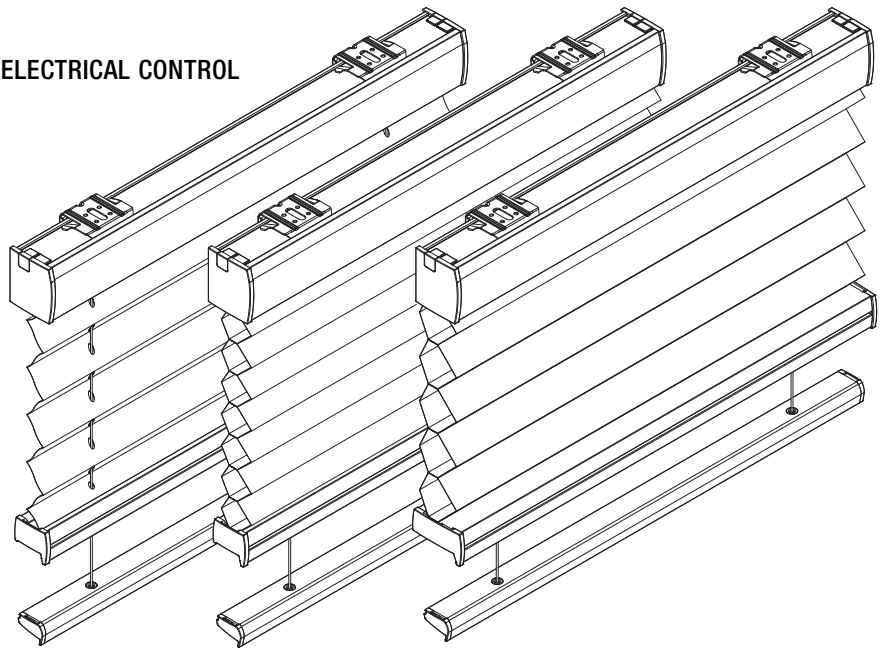
Dimensions of tension profile

- depth 18 mm
- height 8 mm

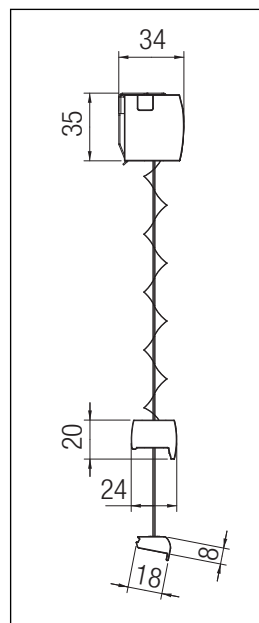
OPERATION

With 24V electric motor completed with a HT24V/230V power supply, and choice of operation options at an upcharge (switch or remote control). Can be combined with group and automatic controls, standard with an automatic resetting short-circuit protection.

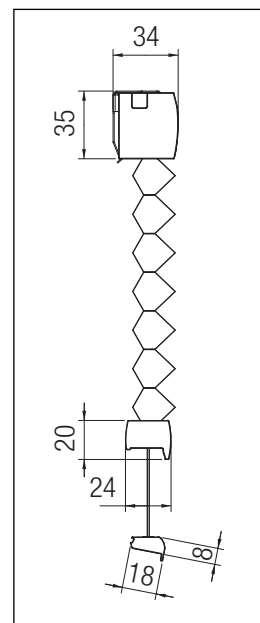
ELECTRICAL CONTROL



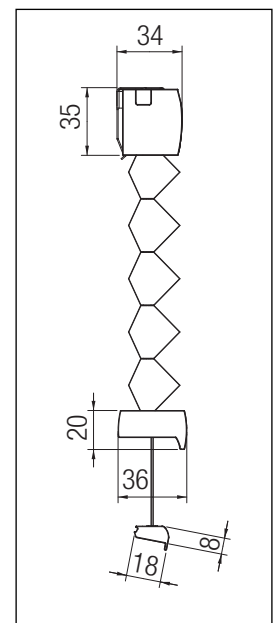
Plissé and Duette® Shade systems with electrical operation



Plissé 20 mm



Duette® 25 mm



Duette® 32 mm

TENSIONING

Permanent, tensioned with patented slide tensioners, UV-resistant, grey steel wires, wire distance approx. 150-500 mm depending the chosen fabrics.

MOUNTING

Rails mounted using hidden brackets for face and recess mounting, with plastic cover plates in matching colours. 'On face' mounting of tension profile using invisible 'on face' fixing brackets.

OPTIONS

Mounting in combination with distance blocks, side cover profiles and mounting profiles possible at an upcharge.

Model AB

64 MM DUETTE® FIXÉ SHADE & DUETTE® ARCHITELLA™ SHADE TYPE AB10

Cordless system for rectangular vertical windows.

PLEATED FABRIC: FROM POLYESTER MATERIAL, PLEAT WIDTH

- 64 mm for Duette® Fixé fabrics attached to the head & bottom rail.

ALUMINIUM MATERIALS

Top and bottom rails in colours:

- white (similar to RAL 9016 ST)
- Magnolia (RAL 9001)
- silver metallic (similar to RAL 9006 ST)
- brown (matching to RAL 8019 ST)
- anthracite metallic (similar to DB 703 ST) powdercoated to Qualicoat® specifications.

Other RAL colours upon request.

64 MM DUETTE® FIXÉ SHADE & 64 MM DUETTE® ARCHITELLA™ SHADE

Dimensions of head rail

- depth 89 mm
- height 39 mm

Dimensions of bottom rail

- depth 70 mm
- height 12 mm

OPERATION

With handle on the bottom rail, automatic positioning of the fabric in all desired positions, remote control possible via operating wand (extra charge).

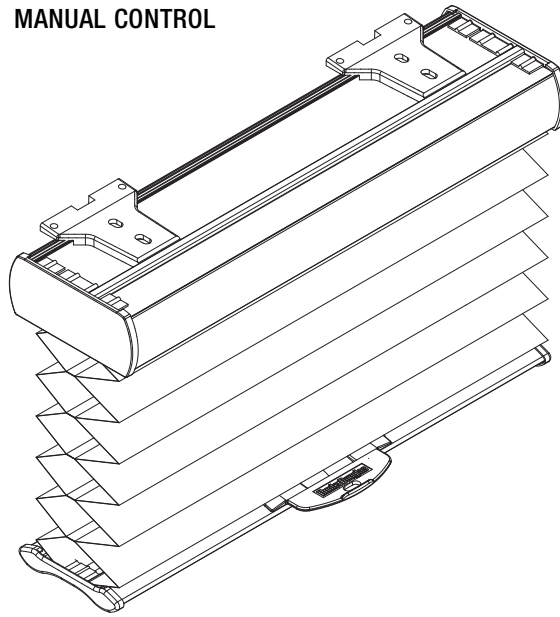
MOUNTING

Attachment using hidden brackets for face and recess mounting.

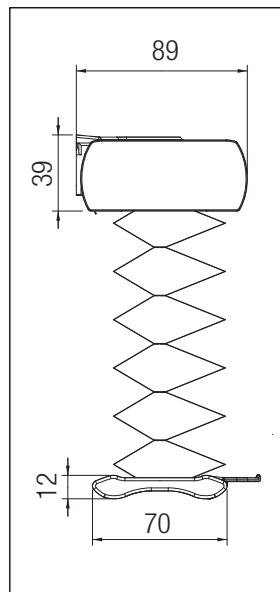
OPTIONS

Mounting in combination with wall bracket up to 40 mm clearance available at an upcharge.

MANUAL CONTROL



Duette® Shade systems with cordless system



Duette® Fixé Shade 64 mm



Duette® Architella™ Shade 64 mm

Additions to the bundle height

- Grip (2) +10 mm
- Endless chain (3) +20 mm
- Motorized (6) +20 mm

INDICATION STACKING HEIGHTS

Blind drop (cm)	Group 1	Group 2	Group 3	Group 4	Group 5
50	33	36	43	47	52
100	39	44	57	66	60
150	44	52	72	86	68
200	50	60	87	105	76
250	55	68	102	124	84
300	61	76	116	143	92

Finishes & Specials

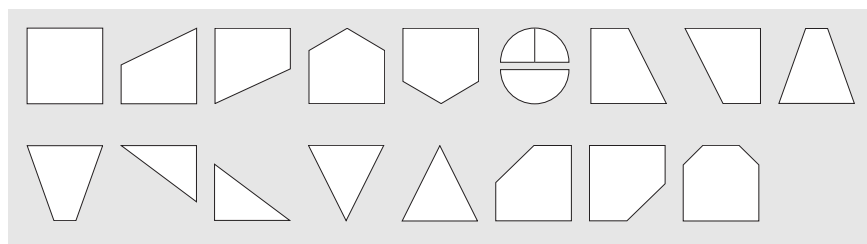
MULTIVISION™ CONCEPT

With the Multivision™ for fabrics, the glare or excess of incoming light from a specific oriented façade can be perfectly regulated in a variable way. From transparent up to dim-out qualities, it optimises light regulation, maintaining an acceptable level of outside view for each room individually, whilst maintaining a uniform colour appearance throughout the entire building's façade.

SPECIAL COATINGS: TOPAR® PLUS, SANAPLUS™ & METALIZED

For increased light and sun radiation reflection, a choice can be made for Plissé fabric treated with Topar® plus, a colored reflective coating (humidity resistant, dirt repellent and long lasting). Sanaplus™ antibacterial is the perfect solution for today's requirements for health and hygiene, for example in hospitals, medical centers, laboratories, professional kitchens, canteens and schools. Metalized coating which provides excellent reflection of sunlight/heat.

Special geometrics



Dimensions of Systems

Model	Min. Width Bottom rail	Max. Width	Min. Drop	Max. Drop Plissé	Max. Drop Duette®	Max. Surface (m²)
AK 10	400	4400	100	2500	3000	8
AE 10	400	4400	100	2000	2000	12
	440			2500	2500	
AO 10	510	4400	100	2500	3000	5
	400			2500	3000	

Model	Min. Width Bottom rail	Max. Width	Min. Drop	Max. Drop Plissé	Max. Drop Duette®	Max. Surface (m²)
BK 10	400	3000	100	2000	2000	8
	440			2500	2500	
	510			2500	3000	
BE 10	400	3000	100	2500	3000	8
BO 10	400	2300	100	2500	3000	5

Model	Min. Width Bottom rail	Max. Width	Min. Drop	Max. Drop Plissé	Max. Drop Duette®	Max. Surface (m²)
PR 10	200	2300	100	4500	4000	8
PE 10	260	2300	100	4500	4000	8

Model	Min. Width Bottom rail	Max. Width	Min. Drop	Max. Drop Plissé	Max. Drop Duette®	Max. Surface (m²)
64 mm	450	2400	150	-	2100	5
64 mm Archittella™	450	2400	150	-	2100	5

Custom Design Solutions are available on request, please check with a Hunter Douglas Sales Representative in your area.

Indoor Environmental Quality & Productivity

PRODUCTIVITY

Energy saving strategies and natural resources like daylight, can create a comfortable and productive environment for occupants. Smart, sustainable design that provides good indoor environmental quality is a proven and profitable investment.

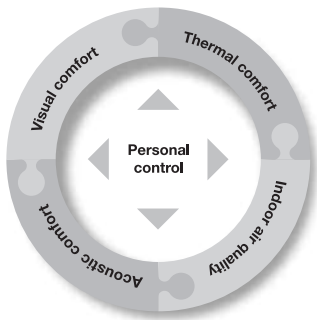
Seemingly small increases of as little as 1% in productivity could result in a much higher payback than the reduced cost of energy.

COMFORT

Comfort can be described as 'the state of mind that expresses satisfaction with the surrounding environment'.

Indoor environmental quality has essentially four dimensions:

1. Thermal comfort;
2. Visual comfort;
3. Acoustic comfort;
4. Indoor air quality.



It is an accepted fact that people prefer to experience daylight through visual contact with the outside world. This is therefore, generally recognized as an important factor in influencing people's positive emotional state.

Situations that cause visual discomfort can frequently arise. The light, glare or reflection levels are just too bright and contrasts too large for optimal working conditions.

Workspaces which are comfortable, naturally lit and allow occupants to connect with outdoor space can improve productivity and reduce absenteeism. Research on the relationship between day lighting and productivity shows that the use of daylight without glare resulted in productivity gains in the order of 4%. To fully optimise the benefits of daylight, control systems can be integrated in the sun control solution.

SUSTAINABILITY & INDOOR ENVIRONMENTAL QUALITY

The environmental footprint of a building includes such factors as the use of energy, water, materials and resources. HunterDouglas® Sun Control Systems and Window Covering products can play an excellent role in reducing the environmental footprint, whilst at the same time enhancing the thermal and visual dimensions of indoor environmental quality.



Energy and Light Tool

The function of Window Coverings is to provide visual comfort and heat control. The primary function of interior window coverings is to reduce glare levels and diffusing daylight. The primary function of External Window Coverings is heat control.

THERMAL COMFORT

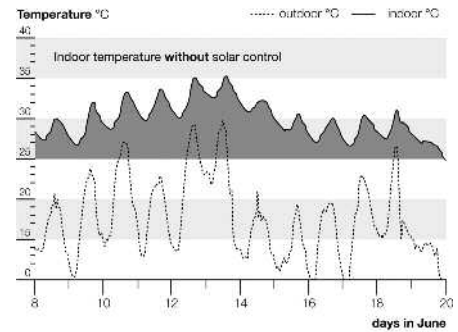
External Window Coverings will prevent excessive solar heat gain and reduce the need for cooling in the summer. Moreover, it will also reduce - if not eliminate - the high capacity of cooling equipment needed, resulting in a reduction in the initial investment cost.

In colder climates, External Window Coverings will enable the use of solar energy to help heat the building in winter. This is often overlooked when solar control glass is selected for heat control.

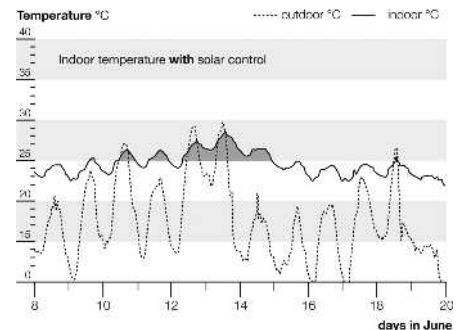
Thermal comfort at a minimal environmental impact calls for a careful matching of glazing, Sun Control and HVAC equipment.

The Hunter Douglas Energy Tool helps finding an optimum solution by quantifying the effects of various External Window Coverings.

The pay-off will be reduced energy costs and often reduced investment cost, and on top of that: reduced greenhouse gas emission during the operation phase of the building.



Indoor and outdoor temperature without External Window Covering



Indoor and outdoor temperature with External Window Covering

VISUAL COMFORT

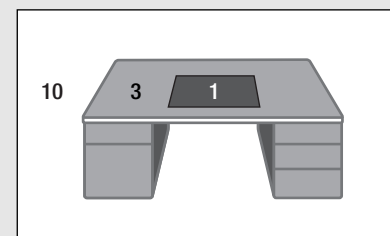
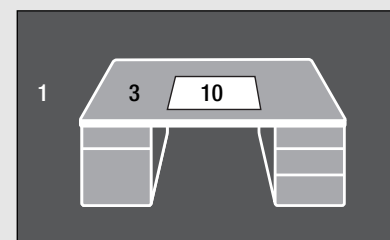
Interior Window Coverings enable the use of free renewable daylight to the maximum extent, so significantly reducing the need for artificial lighting and avoiding the associated cooling loads.

The accepted factor in creating visual comfort states that the contrast within the field of view should not exceed a factor of 10. The contrast between the central visual task and its direct surroundings should not exceed a factor of 3.

When designing an office space, questions often arise around what measures should be considered to guarantee the right level of visual comfort?

The Hunter Douglas Light Tool makes the assessment of visual comfort tangible by calculating luminance levels for a model office with and without window coverings. The amount and type of glass, the orientation of the façade, the geographical location, weather, season and time of day are all taken into account before recommendations are made.

The Light Tool helps client's assess which window covering provides the aesthetic and performance levels needed to create visual comfort for their particular project.



Contrast factor 1:3:10

Light Tool calculations are based on Radiance (Lawrence Berkeley Laboratories). The scene model consists of approximately 20,000 polygons. Colours and reflection values were measured in an actual model office.



HUNTER DOUGLAS ARCHITECTURAL PRODUCTS

Over 40 years, Hunter Douglas has been dedicated to innovation. As the field of Sun Control grows, we pride ourselves on leading the way as pioneers in the area.

We're working alongside architects and designers throughout the globe, developing new, innovative methods of managing heat, light and energy. We've committed ourselves to crafting products that meet the highest standards of materials, construction and performance because we believe that you need the right tools to create projects that inspire.

Innovative Products Make Innovative Projects



Promoting sustainable
forest management
www.pefc.org

© Registered trademark - a HunterDouglas® product Pats. & Pats. Pend. - Technical data subject to change without notice.
© Copyright Hunter Douglas 2009. No rights can be derived from copy, text pertaining to illustrations or samples. Subject to changes in materials, parts, compositions, designs, versions, colours etc., even without notice. **MX914W00**



ARCHITECTURAL SERVICES

We support our business partners with a wide range of technical consulting and support services for architects, developers and installers. We assist architects and developers with recommendations regarding materials, shapes and dimensions, colours and finishes. We also help creating design proposals, visualisations and mounting drawings. Our services to installers range from providing detailed installation drawings and instructions to training installers and advising on the building site.

HunterDouglas

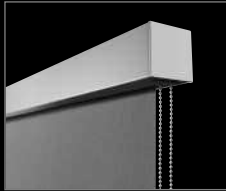
WINDOW COVERINGS



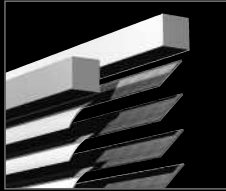
Learn More

- Contact our Sales Office
- www.hunterdouglascontract.com

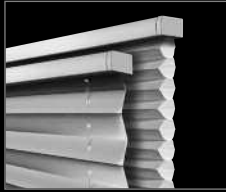
Roller Blinds



Venetian Blinds



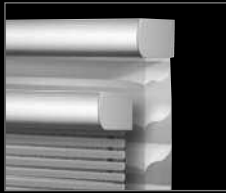
Plissé & Duette® Shades



Vertical Venetian Blinds



Facette® & Silhouette®



External Venetian Blinds



External Roller Blinds



- Austria
- Belgium
- Bulgaria
- Croatia / Slovenia
- Czechia
- Denmark
- France
- Germany
- Greece
- Hungary
- Ireland
- Italy
- Kazakhstan
- the Netherlands
- Norway
- Poland
- Portugal
- Romania
- Russia
- Serbia
- Slovakia
- Spain
- Sweden
- Switzerland
- Turkey
- Ukraine
- United Kingdom
- Africa
- Middle East

- Asia
- Australia
- Latin America
- North America

HUNTER DOUGLAS EUROPE B.V.
 2, Piekstraat
 P.O. Box 5072 - 3008 AB Rotterdam
 Tel. +31 (0)10 - 4869911
 Fax +31 (0)10 - 4847910
www.hunterdouglascontract.com

HunterDouglas