



# Venetian & Wood Blinds

HunterDouglas® Venetian and Wood Blinds offer a wide variety of solutions for daylight control with outward visibility with pleasant indoor comfort.

**HunterDouglas**

WINDOW COVERINGS



# Venetian Blinds

## Solutions for Daylight Control

### DESIGN

HunterDouglas® Venetian Blinds are manufactured with the best materials and paint systems in conjunction with automated assembly methods. With a wide range of design possibilities, perforations, finishes, colours and colour coordinated components HunterDouglas® Venetian Blinds represent the state of the art in daylight regulation.

### EASY INSTALLATION

HunterDouglas® Venetian Blinds can be mounted very easily in a wall or on face of the window and several mounting solutions are available.

### FUNCTIONALITY

HunterDouglas® Venetian Blinds hardware systems offer easy installation and operation with durable control mechanism. The systems are developed for optimum daylight and glare regulation with motorization or manual control. Solutions for special shaped windows, turn and tilt, sloped and double window blinds are also available.



#### **LIGHT & ENERGY**

HunterDouglas® Venetian Blinds are designed to improve indoor environmental quality and conserve energy. These systems help create built environments that are comfortable, healthy, productive, and sustainable. Our engineering and production processes minimize embodied environmental impact while meeting the highest standards for commercial, hospitality, industrial, institutional, and commercial applications. In order to obtain the optimal shading performance for a building and its occupants we developed compute simulation and calculation tools. Our project support team can analyze, visualize and optimize Window Covering Solutions with the HunterDouglas® Energy and Light Tool.

## **CONTENT**

---

Page

**25 mm / 25 mm XL** 2 - 3  
The Ultimate Blind

**35 mm Aluminium** 4 - 5

**50 mm / 70 mm Aluminium** 6 - 7

**35 mm Wood** 8 - 9

**50 mm Wood** 10 - 11

**Specials Aluminium** 12

**Dimensions Aluminium & Wood** 13

**Indoor Environmental Quality  
& Productivity** 14

**Energy and Light Tool** 15

---

## **Innovative Products Make Innovative Projects**

---



**HunterDouglas**

# 25 mm / 25 mm XL The Ultimate Blind

## 25 & 35 MM VENETIAN BLIND

Cord operated or motorized 25 and 35 mm Venetian Blind with a 25 and 35 mm slat, for indoor use.

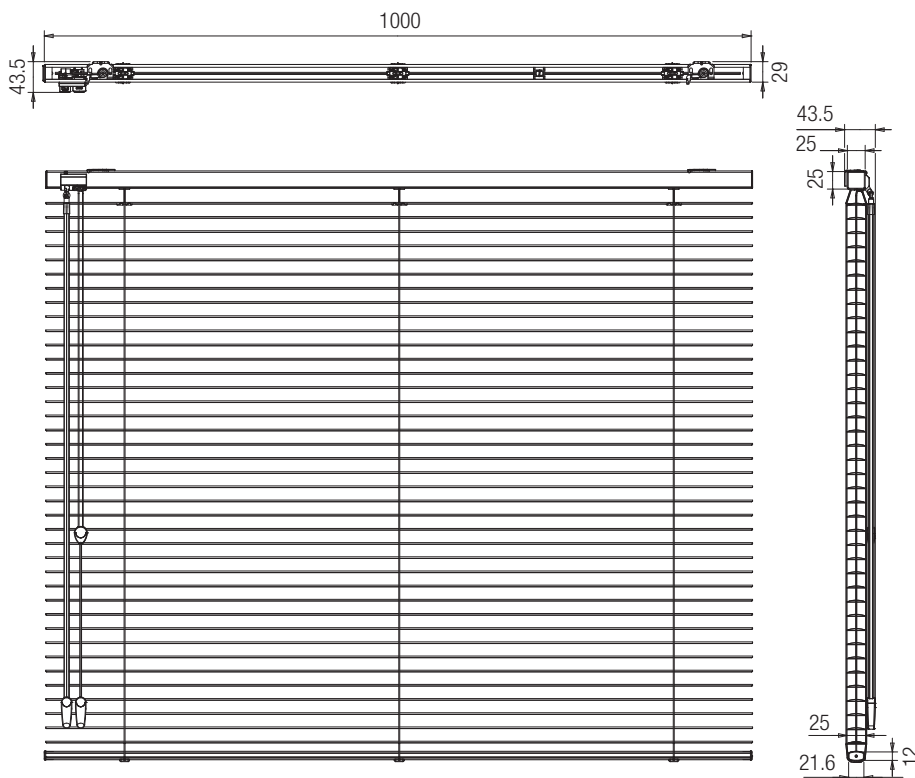
### 1. ULTIMATE BLIND 25 MM HEADRAIL, 25 MM SLAT (STANDARD)

**Headrail:** A rollformed steel U section with a dimension of 24.9 x 25.3 mm (wxd) stove-enamelled in colour. The headrail incorporates the tilt and raise mechanism.

**Bottom rail:** A rollformed closed, tubular steel section with a dimension of 21.6 x 12 mm stove-enamelled finish. Due to the unique method of fixing the slat pack to the top of the bottom rail, no visible punch holes, plastic components or tapes at the front or bottom of the bottom rail. The end caps are colour co-ordinated. The steel bottom rail will not sag or bend and the weight of the bottom rail facilitates a smooth lowering of the blind.

Headrail and bottom rail are colour co-ordinated with slat colours.

### MANUAL CONTROL



Horizontal Venetian Blind, 25 mm headrail with 25 mm slats

### 2. ULTIMATE BLIND XL 35 MM HEADRAIL, 25 MM SLAT

**Headrail:** A rollformed steel U section with a dimension of 40 x 37 mm (wxd), stove-enamelled in colour.

**Bottom rail:** A rollformed closed tubular steel section with a dimension of 21.6 x 12 mm. Stove-enamelled finish. The width and curvature correspond to the slats. The bottom rail is rigid enough to effectively prevent bending when the blind is raised.

Headrail and bottom rail are colour co-ordinated with slat colours.

### MOUNTING MATERIALS

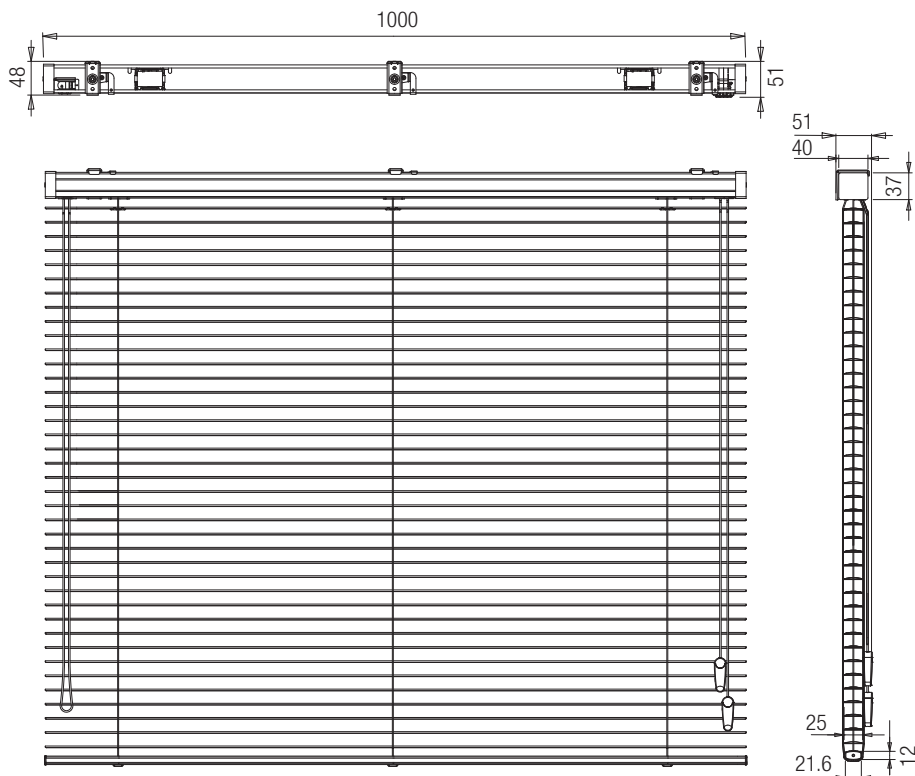
Swivel brackets for either on -or- in recess mounting.

Material: steel, zinc plated, thickness 1.25 mm

Installation and intermediate brackets.

Material: steel, zinc plated

### MANUAL CONTROL



Horizontal Venetian Blind, 35 mm headrail with 25 mm slats

# 25 mm / 25 mm XL

## MOTORIZED CONTROL

### SYSTEM

A strong steel tilt shaft in the headrail ensures a uniform tilting action and holds the slats in the required position. Tilt operation by a polyester rod for blinds, equipped with string tapes. The moving parts require no lubrication throughout their lifetime. The self-locking worm gear ensures positive slat tilting so that the position of the slats cannot be changed unintentionally.

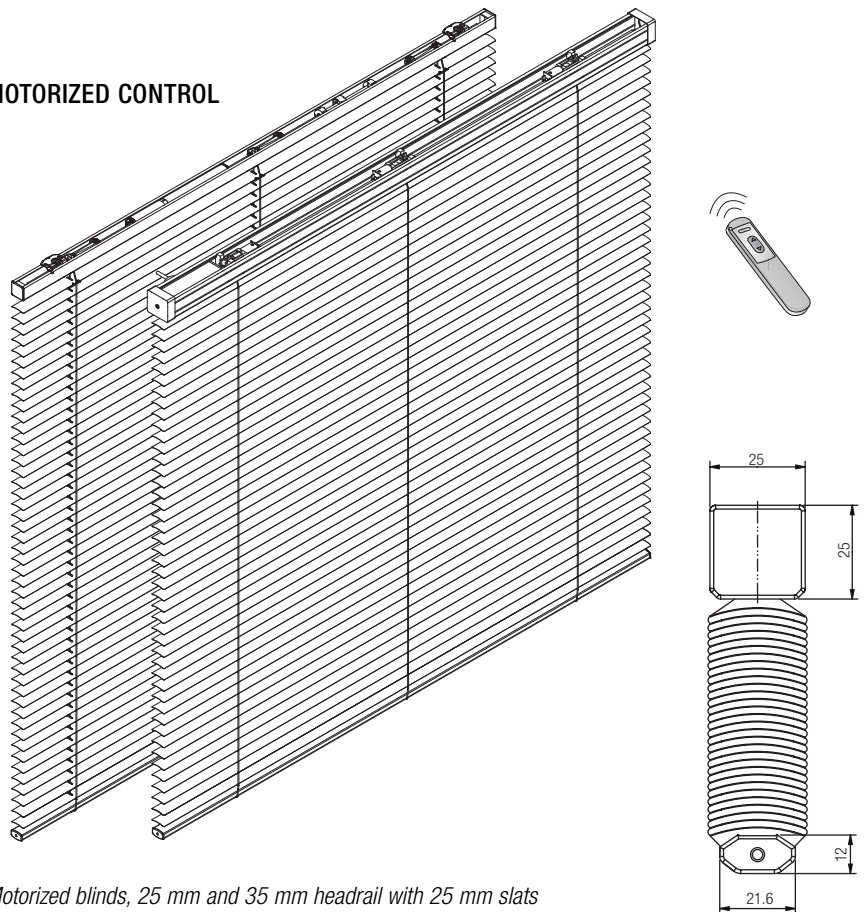
### SLATS

Aluminium slats made with a special corrosion resistant aluminium alloy 6011, 25 mm wide, curved and stove-enamelled. The baked enamel finish will not blister or chalk and will make the slats resistant to abrasion, peeling, scratching, dulling, discolouration and corrosion. The unique 'bounce-back' quality will guarantee a longer product life.

### OPERATION

#### Manual operated

The mechanism of the snap-in type is entirely enclosed within the headrail and made of plastic to ensure silent operation. Metal parts have been protected against corrosion. Lift operation of the ultimate blind XL is by means of polyester cords via a strong cord lock provided with smooth plain metal dogs for longer cord life. The dogs are actuated and released with cords in vertical position.



Motorized blinds, 25 mm and 35 mm headrail with 25 mm slats

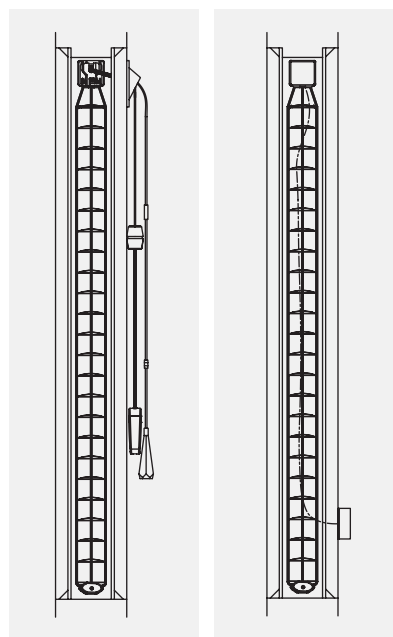
#### Motorized operated

The motorized blind can be operated by a 230V motor. Controlled by switch, remote, group control, BMS. Please ask for motor and automation specifications.

## PARTITION WALLS

An esthetic fusion of design and function. Inside the building there can be many circumstances to integrate Venetian Blinds into glass partitioning: daylight transfer in public areas like bank buildings, schools, libraries or improved privacy in office landscapes, restaurants, hotels, police offices or for high hygienic reasons.

All operation options are available, from a robust rotation knob for tilting only, up to fully motorised operation.



Double window  
Lift & Tilt sideview

Double window  
Tilt only sideview

### OPERATION

#### Manual Tilt only operation in a totally closed gear housing

- Tilting by a tiltmaster
- Torsion rod

#### Manual Lift & Tilt operation

- Cord to lift the blind
- Flexible tilt rod to tilt the blind

#### Motorized

- By a 24V motor
- Controlled by switch, remote, group control, BMS

Please ask for motor and automation specifications.

# 35 mm Aluminium

## 35 MM VENETIAN BLIND

Cord operated or motorized 35 mm Venetian Blind with a 35 mm slat, for indoor use.

### Headrail

A rollformed steel U section with a dimension of 40 x 37 mm (wxd), stove-enamelled in colour.

### Bottom rail

A rollformed closed tubular steel section with double lining on front and backside with a dimension of 34 x 14 mm. Stove-enamelled finish. The width and curvature correspond to the slats. The bottom rail is rigid enough to effectively prevent bending when the blind is raised.

Headrail and bottom rail are colour coordinated with slat colours.

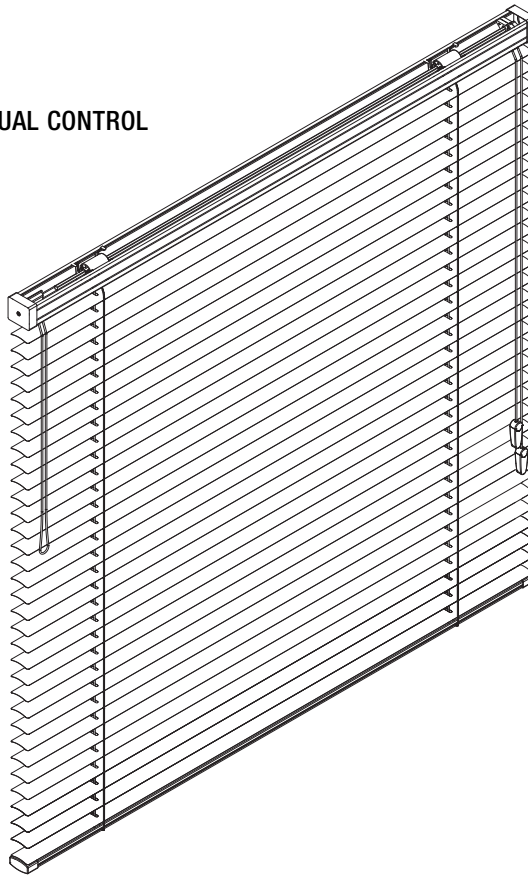
## MOUNTING MATERIALS

Swivel brackets for either on-or-in recess mounting.

Material: steel, zinc plated, thickness 1.5 mm

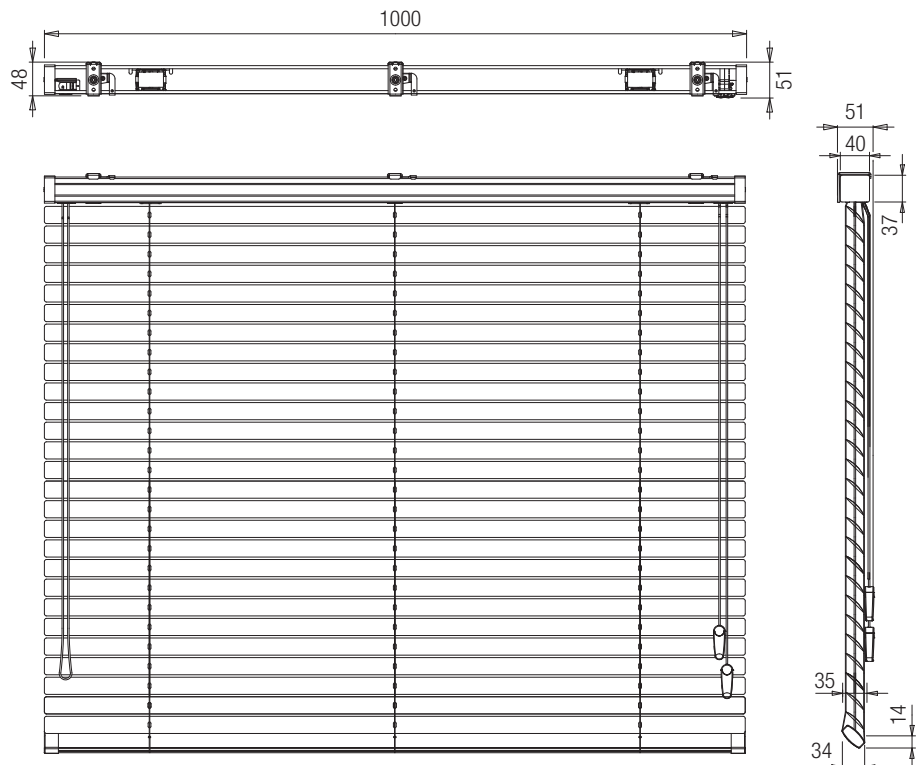
Installation and intermediate brackets.  
Material: steel, zinc plated.

## MANUAL CONTROL



Horizontal Venetian Blind, 35 mm headrail with 35 mm slats

## DIMENSIONS



Horizontal Venetian Blind, 35 mm headrail with 35 mm slats

# 35 mm Aluminium

## SYSTEM

A strong steel tilt shaft in the headrail ensures a uniform tilting action and holds the slats in the required position. Tilt operation by a polyester rod for blinds, equipped with string tapes. The moving parts require no lubrication throughout their lifetime. The self-locking worm gear ensures positive slat tilting so that the position of the slats cannot be changed unintentionally.

## SLATS

Aluminium slats made with a special corrosion resistant aluminium alloy 6011, 35 mm wide, curved and stove-enamelled. The baked enamel finish will not blister or chalk and will make the slats resistant to abrasion, peeling, scratching, dulling, discolouration and corrosion. The unique 'bounce-back' quality will guarantee a longer product life.

## OPERATION

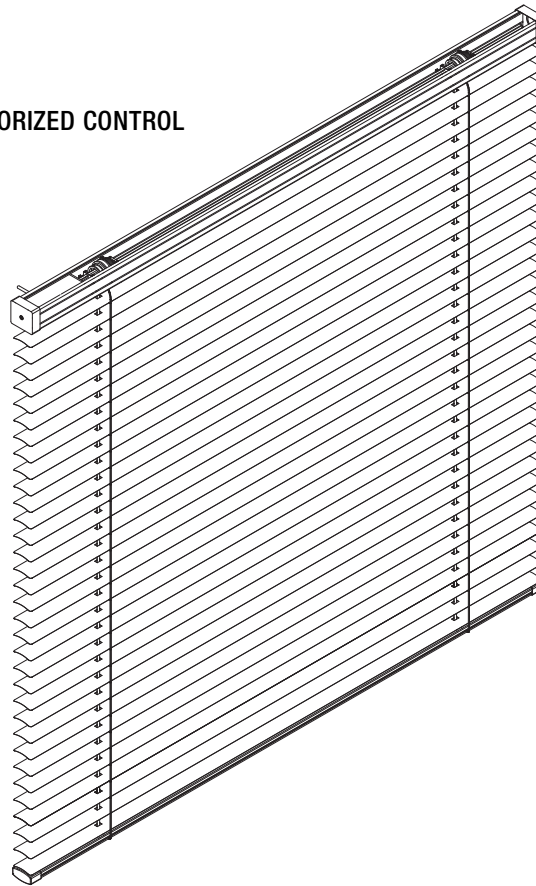
### Manual operated

The mechanism of the snap-in type is entirely enclosed within the headrail and made of plastic to ensure silent operation. Metal parts have been protected against corrosion. Lift operation is by means of 2.2 mm polyester cords via a strong cord lock provided with smooth plain metal dogs for longer cord life. The dogs are actuated and released with cords in vertical position.

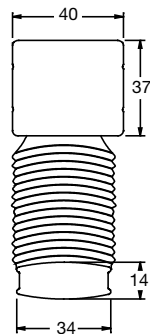
### Motorized operated

The motorized blind can be operated by a 230V motor. Controlled by switch, remote, group control, BMS. Please ask for motor and automation specifications.

## MOTORIZED CONTROL



*Motorized blind, 35 mm headrail with 35 mm slats*



# 50 mm / 70 mm Aluminium

## 50 MM / 70 MM VENETIAN BLIND

Cord operated or motorized 50 mm Venetian Blind with a 50 mm or a 70 mm slat, for indoor use.

### Headrail

A rollformed steel U section with a dimension of 51 x 57 mm (wxd), stove-enamelled in colour.

### Bottom rail

A rollformed closed tubular steel section with dimension of 50 x 20 mm. Stove-enamelled finish. The width and curvature correspond to the slats. The bottom rail is rigid enough to effectively prevent bending when the blind is raised.

Headrail and bottom rail are colour coordinated with slat colours.

### MOUNTING MATERIALS

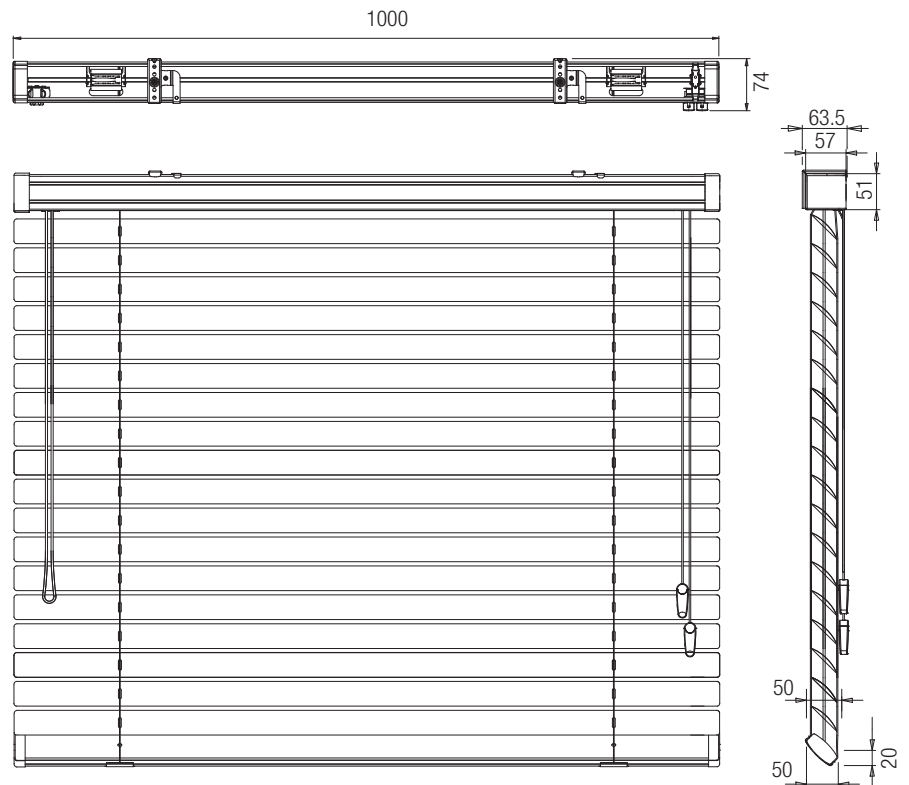
Swivel brackets for either on -or- in recess mounting.

Material: steel, zinc plated, thickness 1.5 mm

Installation and intermediate brackets.

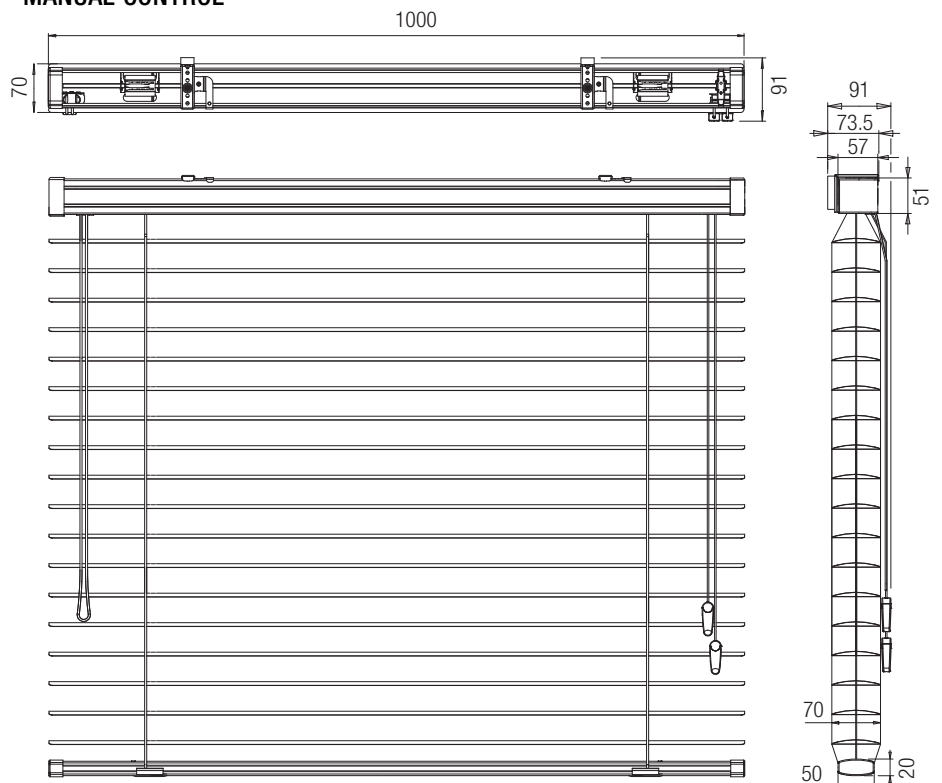
Material: steel, zinc plated.

### MANUAL CONTROL



Horizontal Venetian Blind, 50 mm headrail with 50 mm slats

### MANUAL CONTROL



Horizontal Venetian blind, 50 mm headrail with 70 mm slats



# 50 mm / 70 mm Aluminium

## SYSTEM

A strong steel tilt shaft ensures a uniform tilting action and holds the slats in the required position. Tilt operation by a polyester cord for blinds equipped with string tapes or cords for blinds with plastic tapes. The moving parts require no lubrication throughout their lifetime. The self-locking worm gear ensures positive slat tilting so that the position of the slats cannot be changed unintentionally.

## SLATS

Aluminium slats made with a special corrosion resistant aluminium alloy 6011, 50 mm or 70 mm wide, curved and stove-enamelled. The baked enamel finish will not blister or chalk and will make the slats resistant to abrasion, peeling, scratching, dulling, discoloration and corrosion. The unique 'bounce-back' quality will guarantee a longer product life.

## OPERATION

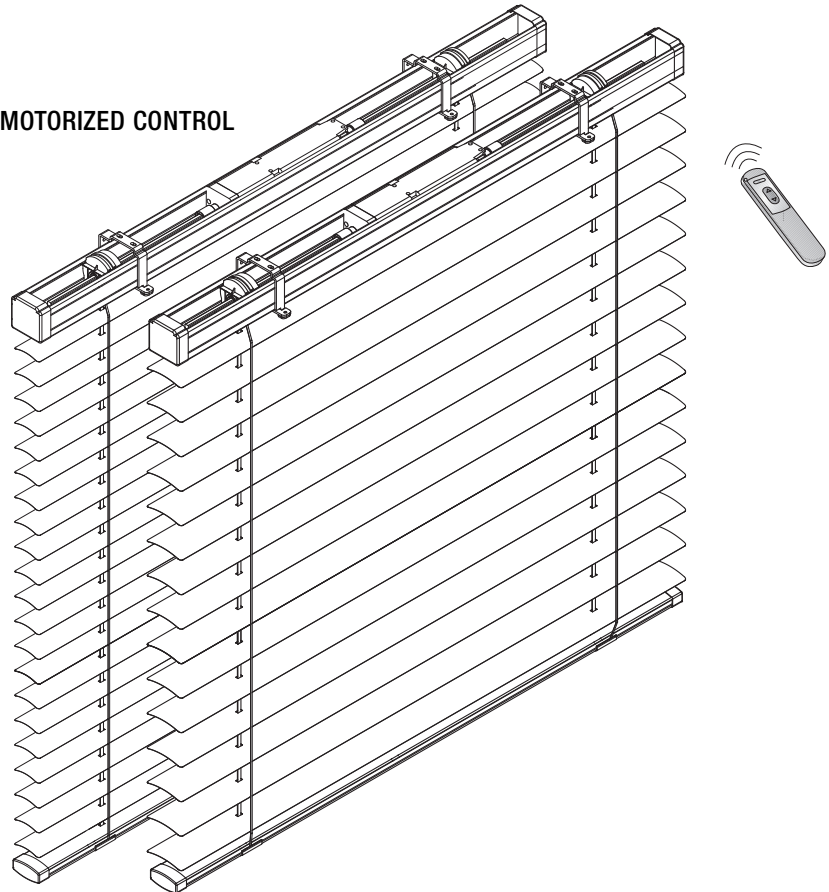
### Manual operated

The mechanism of the snap-in type is entirely enclosed within the headrail and made of plastic to ensure silent operation. Metal parts have been protected against corrosion. Lift operation is by means of 3 mm polyester cords via a strong cord lock provided with smooth plain metal dogs for longer cord life. The dogs are actuated and released with cords in vertical position.

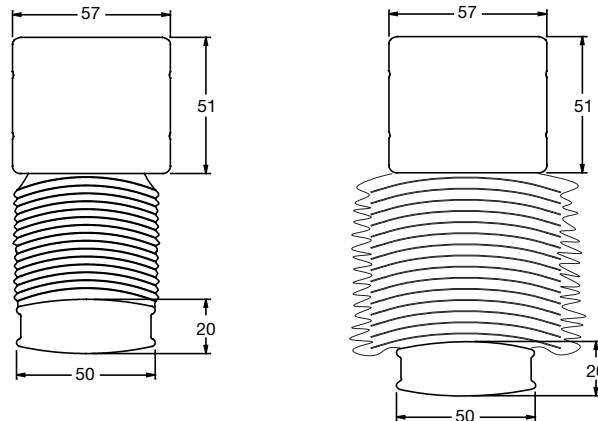
### Motorized operated

The motorized blind can be operated by a 230V motor. Controlled by switch, remote, group control, BMS. Please ask for motor and automation specifications.

## MOTORIZED CONTROL



Motorized blind, 50 mm headrail with 50 and 70 mm slats



50 mm headrail with 50 and 70 mm slats

# 35 mm Wood

## 35 MM WOOD VENETIAN BLIND

Cord operated or motorized 35 mm Wood Venetian Blinds, for indoor use.

### HEADRAIL

A rollformed steel U section with a dimension of 51 x 57 mm (wxd), stove-enamelled in color.

### BOTTOM RAIL

Bottom rail in the same wood species as the wooden slats.

All blinds are supplied with a valance made from the same wood. The wood is stained with a natural finish and always covered with a polyurethane lacquer or end brackets.

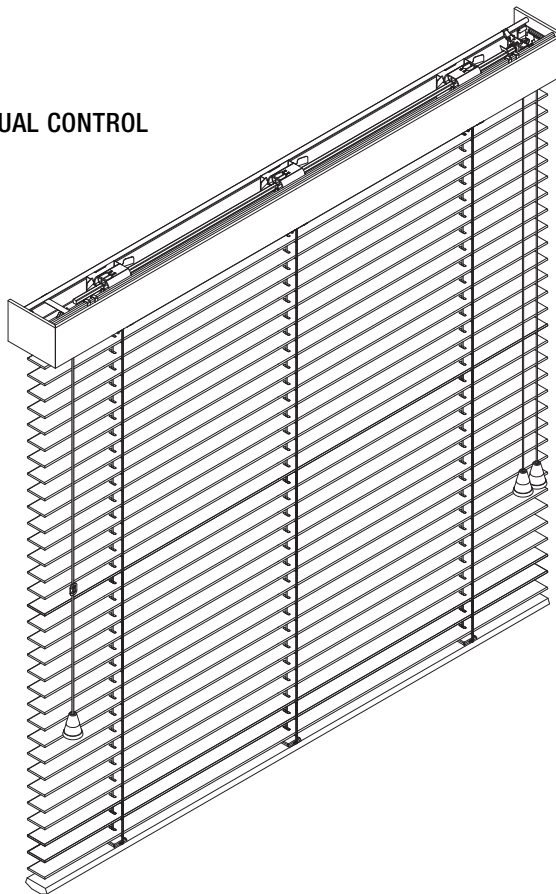
### MOUNTING MATERIALS

Swivel brackets for either on -or- in recess mounting.

Material: steel, zinc plated, thickness 1.5 mm

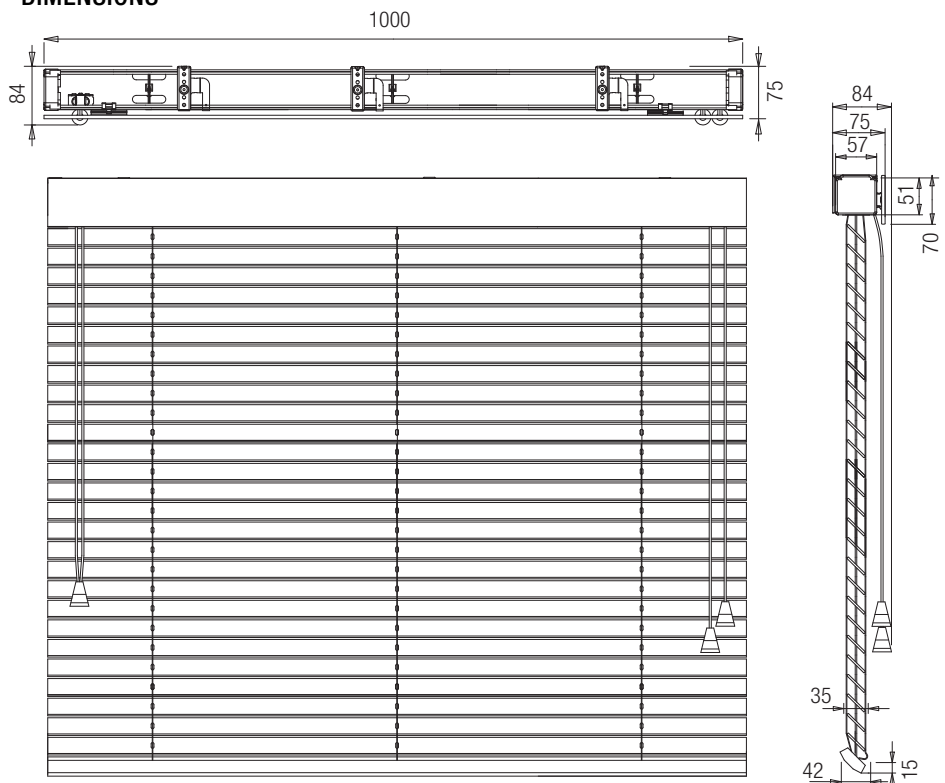
Installation and intermediate brackets.  
Material: steel, zinc plated.

## MANUAL CONTROL



Horizontal Wood Venetian Blind, 50 mm headrail with 35 mm slats

## DIMENSIONS



Horizontal Wood Venetian blind, 50 mm headrail with 35 mm slats

# 35 mm Wood

## SYSTEM

A strong steel tilt shaft ensures a uniform tilting action and holds the slats in the required position. Tilt operation by a polyester cord for blinds equipped with string tapes or cords for blinds with plastic tapes. The moving parts require no lubrication throughout their lifetime. The self-locking worm gear ensures positive slat tilting so that the position of the slats cannot be changed unintentionally.

## SLATS

Wooden slats of the Project Collection are available in different colours.

## Type of wood

- Hard wood
- FSC soft wood

## Dimension slats

35 x 2.7 mm

## Edges

Smooth, sanded and coated on both sides. All blinds come with a UV coating moisture content for interior use.

## OPERATION

### Manual operated

The mechanism of the snap-in type is entirely enclosed within the headrail. Metal parts have been protected against corrosion. Lift operation is by means of 3 mm polyester cords via a strong cord lock provided with smooth plain metal dogs for longer cord life. The dogs are actuated and released with cords in vertical position.

### Cord operation

- tilting by tilt cords, diameter 3 mm

### Monocommando

- Crank operation by a (detachable) 10 mm diameter rod.

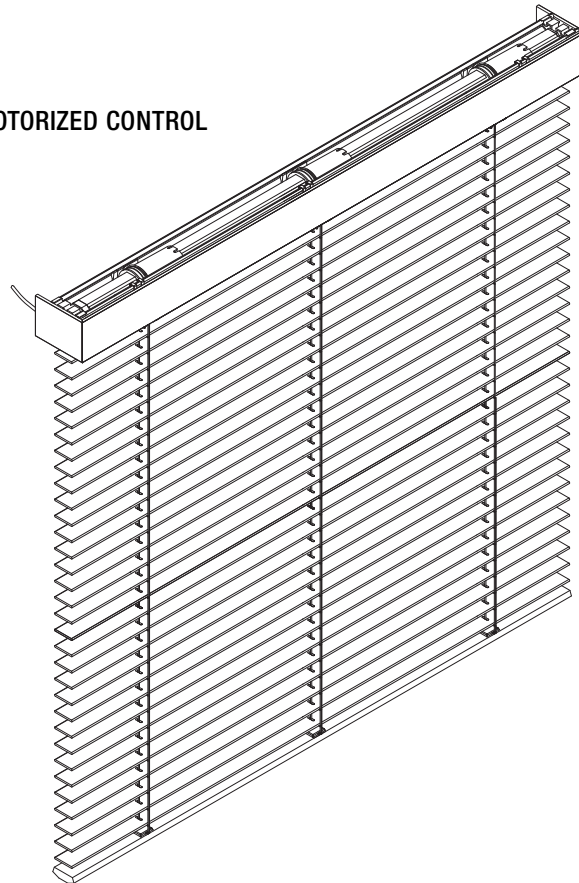
### Motorized

- by a 230V motor with built-in limit switches.

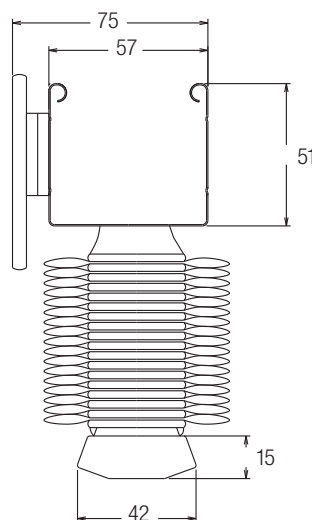
### Controlled by

Switch, remote, group control, BMS  
Please ask for motor and automation specifications.

## MOTORIZED CONTROL



Motorized Wood Blind, 50 mm headrail with 35 mm Wood slats



50 mm headrail with 35 mm Wood slats

# 50 mm Wood

## 50 MM WOOD VENETIAN BLIND

Cord operated or motorized 50 mm Wood Venetian Blinds with a 50 mm slat, for indoor use.

### HEADRAIL

A roll formed steel U section with a dimension of 51 x 57 mm (wxd), stove-enamelled in colour.

### BOTTOM RAIL

The bottom rail is in the same wood species as the wooden slats.

All blinds are supplied with a valance made from the same wood. The wood is stained with a natural finish and always covered with a polyurethane lacquer or end brackets.

### MOUNTING MATERIALS

Swivel brackets for either on -or- in recess mounting.

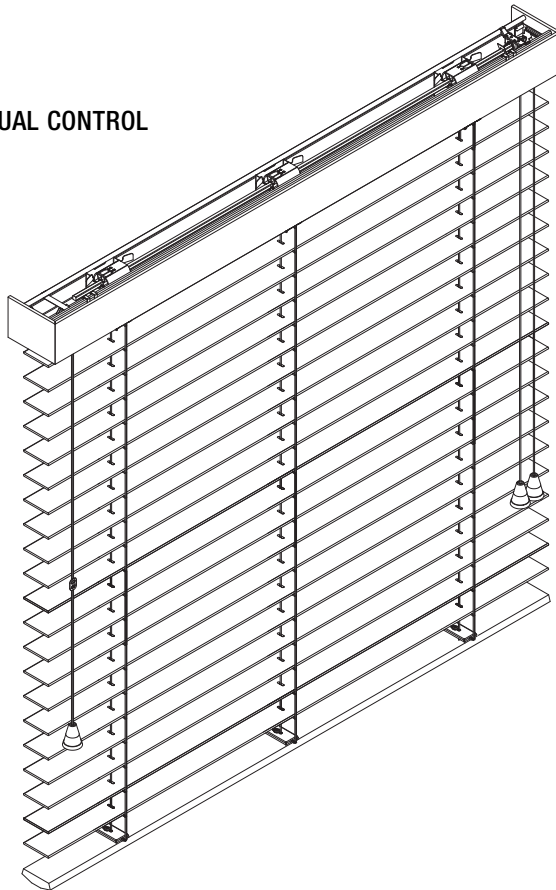
Material: steel, zinc plated, thickness 1.5 mm

Installation and intermediate brackets.  
Material: steel, zinc plated.

### SYSTEM

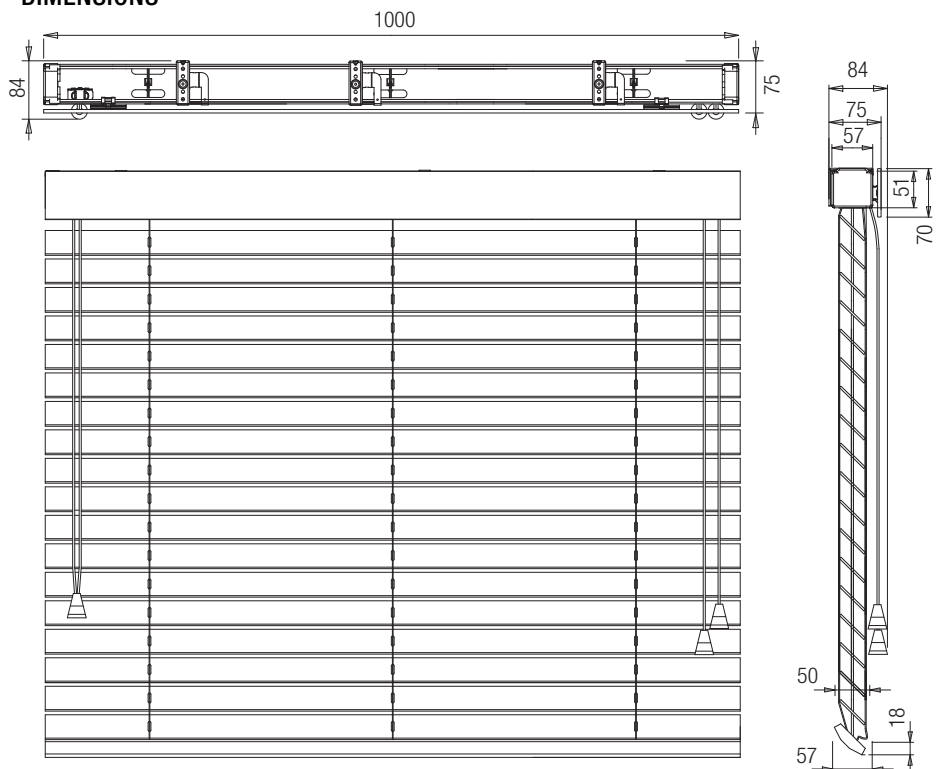
A strong steel tilt shaft ensures a uniform tilting action and holds the slats in the required position. Tilt operation by a polyester cord for blinds equipped with string tapes or cords for blinds with plastic tapes. The moving parts require no lubrication throughout their lifetime. The self-locking worm gear ensures positive slat tilting so that the position of the slats cannot be changed unintentionally.

## MANUAL CONTROL



Horizontal Wood Venetian Blind, 50 mm headrail with 50 mm slats

## DIMENSIONS



Horizontal Wood Venetian Blind, 50 mm headrail with 50 mm slats

# 50 mm Wood

## SLATS

Wooden slats of the Project Collection are available in different colours.

### Type of wood

- Hard wood
- Native wood
- FSC soft wood

### Dimension slats

50 x 2.7 mm

### Edges

Smooth, sanded and coated on both sides. All blinds come with a UV coating moisture content for interior use.

## OPERATION

### Manual operated

The mechanism of the snap-in type is entirely enclosed within the headrail. It's made of plastic ensuring silent operation. Metal parts have been protected against corrosion. Lift operation is by means of 3 mm polyester cords via a strong cord lock provided with smooth plain metal dogs for longer cord life. The dogs are actuated and released with cords in vertical position.

### Cord operation

- tilting by tilt cords, diameter 3 mm

### Monocommando

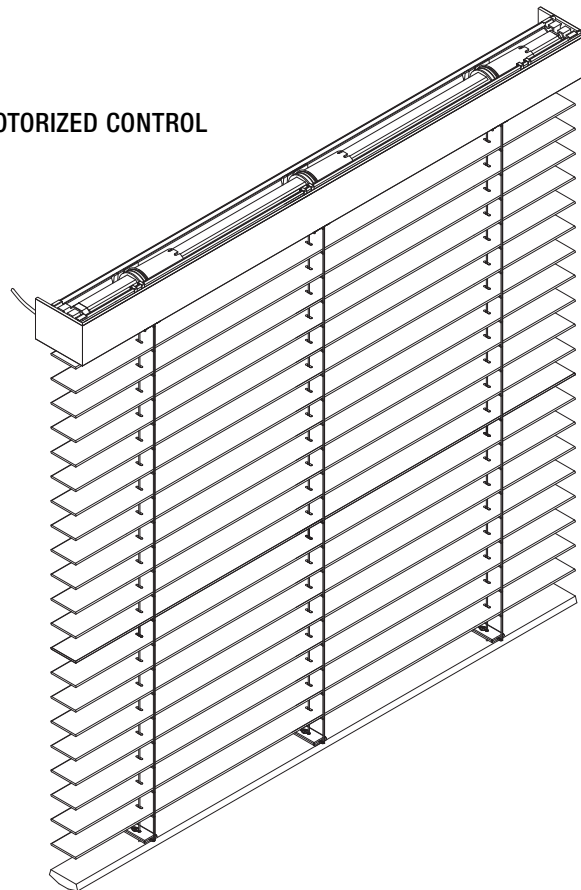
- Endless cord to tilt and lift the blind
- Crank operation by a (detachable) 10 mm diameter rod.

### Motorized

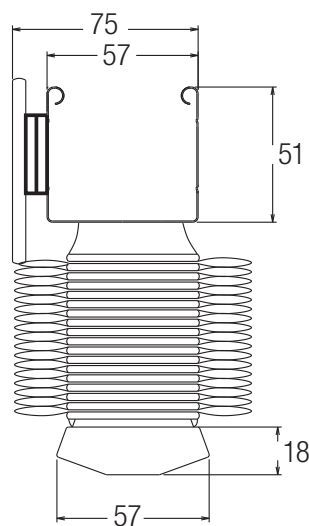
- By a 230V motor  
Controlled by switch, remote, group control, BMS

Please ask for motor and automation specifications.

## MOTORIZED CONTROL



Motorized Wood Venetian Blind, 50 mm headrail with 50 mm slats



50 mm headrail with 50 mm Wood slats

# Specials Aluminium

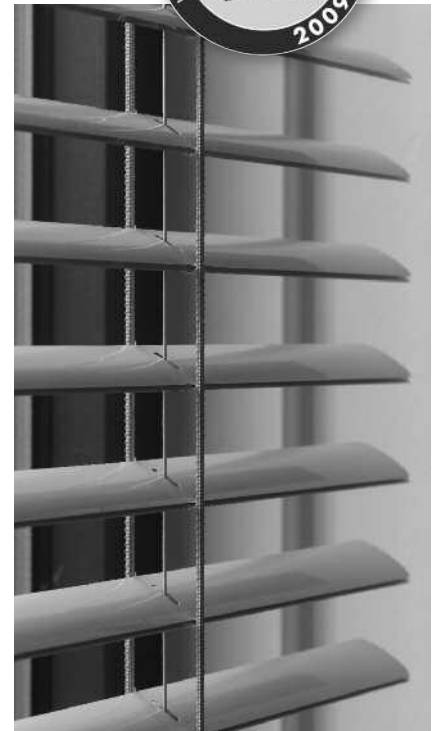
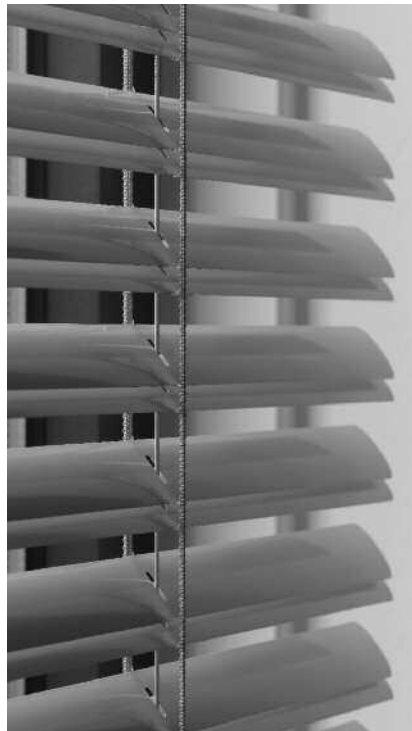


## MEGAVIEW™

An innovation within the HunterDouglas® Venetian Blind collection is the patented technique of the MegaView™. MegaView™ creates extra view and more daylight with a 25 mm wide slat and is available in many colours and perforations.

MegaView™ closes the same way as a standard 25 mm Venetian Blind yet opens different as two slats 'stick' together during opening. MegaView™ has a double pitch distance, (space between 2 slats) and controls at the same time privacy, daylight and the outside view.

MegaView™ offers 50 mm open space instead of 25 mm with a standard Venetian Blind.



*MegaView™, 25 mm slats, 50 mm open space*

## MULTIVISION™ CONCEPT

With the Multivision™ concept, the glare or excess of incoming light from a specific oriented façade can be perfectly regulated in a variable way. The different types of perforations will optimise light regulation, maintaining an acceptable level of outside view for each room individually, whilst maintaining a uniform colour appearance throughout the entire building's façade.

## PERFORATED PATTERNS

Hunter Douglas offers four different perforated patterns:

- 8% to be applied on the North Façade
- 4% to be applied on the East/South/ West Façade
- 1/3 Perforation or 3%
- 2/3 Perforation or 6%

These perforation patterns represent the ideal solution for a good and optimal daylight regulation, even in direct sunlight or north façades with an intensive white cloudy zenith or for VDU workplaces.

## SPECIAL COATINGS

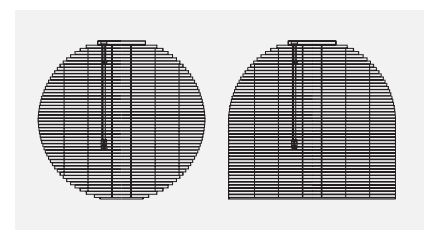
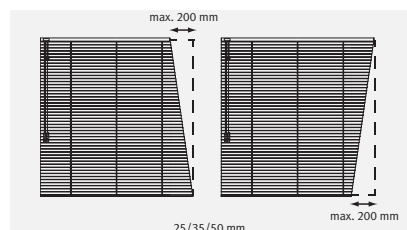
### Thermostop

The special HunterDouglas® Thermostop strip is based on a slat, which has a special coating on the concave side of the strip, giving an emission of heat radiation 3 times lower (emission value 30%, instead of 90% for a normal painted slat). This slatting material increases the thermal resistance in winter and decreases the inside heat transfer in summer.

### HunterDouglas® High Mirror

HunterDouglas® Aluminium Project Collection offers 2 varieties which are finished with a high reflective foil on one side to allow high reflection values on the total sun radiation spectrum, whilst on the other side have a painted solid surface. The painted side can be black (6057) or grey (4078, RAL7030), in order to be used with blinds specially designed to reflect the high incoming sun radiation and to optimise visual light transmission by the high mirror side, preventing at the same time excessive glare by the coloured finish. Special perforation patterns are available on request.

## Special geometrics



# Dimensions Aluminium

## CORD OPERATION (STANDARD BLIND)

Slat width (mm)	Headrail	Width (mm)		Drop (mm)		Surface (m <sup>2</sup> )
		Min.	max.	Min.	max.	
25	25	320	3300	200	3000	6
	35	360	3900	200	3000	9
35	35	360	4500	200	3000	9
50	50	320	5000	400	5000	12.5
70		320	5000	400	4000	12.5

## MONOCOMMANDO (CRANK/ENDLESS CHAIN/CORD)

Slat width (mm)	Headrail	Width (mm)		Drop (mm)		Surface (m <sup>2</sup> )
		Min.	max.	Min.	max.	
25	25	320	3300	200	3000	< 6
	35	560	3300	200	3000	9
35	35	360	4500	200	3000	< 10
50	50	600	5000	400	5000	10
70		on request	on request	on request	on request	on request

## MOTORIZED

Slat width (mm)	Headrail	Width (mm)		Drop (mm)		Surface (m <sup>2</sup> )
		Min.	max.	Min.	max.	
25	25	320	2700	200	3000	< 6
	35	600	4000	200	4000	< 6
35	35	600	4000	200	3000	< 6
50	50	600	5000	400	5000	< 18
70		600	5000	400	5000	< 18

*Different sizes on request*

## INDICATION STACKING HEIGHTS

Blind drop (cm)	Stringtape			Ladder tape 50 mm
	25 mm	35 mm	50 mm	
100	8	8	8	8
150	9.5	9	11	13
200	11	11	13	15
250	13	13	15	17
300	14	14	16	18
350	-	16	18	20
400	-	17	19	22
450	-	-	-	24
500	-	-	-	25

# Dimensions Wood

## STRINGTAPE AND FABRIC TAPE

A selection of decorative tapes instead of stringtape are available

	Slat width	Stringtape	Decorative tape width	
			19 mm	25 mm
Hard wood / FSC	35 mm	*	*	
Hard wood / Native / FSC	50 mm	*		*

## SIZE LIMITATIONS

Operation	Slat width (mm)	Dimensions (mm)		Drop (mm)		Max. Area (m <sup>2</sup> )
		Min. Width	Min. Height	Max. Width	Max. Height	
Cord	35	350	400	2400	3000	4.2
Cord	50	350	400	2400	3000	4.8
Crank	35	500	500	2400	3000	4.2
Crank	50	500	500	2400	3000	4.8
Electric	35	500	600	2400	3000	5.2
Electric	50	500	600	2400	3000	6.0

## INDICATION STACKING HEIGHTS

Blind drop (cm)	Stringtape		Decorative tape	
	35 mm	50 mm	35 mm	50 mm
100	20	16	23	19
150	26	21	32	26
200	33	25	41	30
250	39	29	49	34
300	45	34	56	41

*Disclaimer: Hunter Douglas Wood Venetian Blinds are made from real wood. Consequently, colour and pattern variations are a natural characteristic and do not indicate a product defect. As with any natural wood, exposure to direct and indirect sunlight can produce a change in colour. Any change in colour over time does not indicate a product defect. Additionally, heat and humidity will interact with light to accelerate the ageing process.*



# Indoor Environmental Quality & Productivity

## PRODUCTIVITY

Energy saving strategies and natural resources like daylight, can create a comfortable and productive environment for occupants. Smart, sustainable design that provides good indoor environmental quality is a proven and profitable investment.

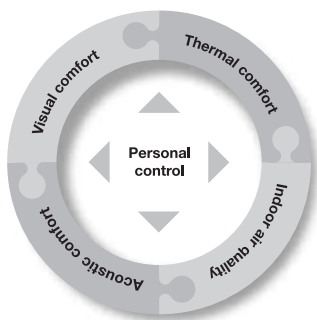
Seemingly small increases of as little as 1% in productivity could result in a much higher payback than the reduced cost of energy.

## COMFORT

Comfort can be described as 'the state of mind that expresses satisfaction with the surrounding environment'.

Indoor environmental quality has essentially four dimensions:

1. Thermal comfort;
2. Visual comfort;
3. Acoustic comfort;
4. Indoor air quality.



It is an accepted fact that people prefer to experience daylight through visual contact with the outside world. This is therefore, generally recognized as an important factor in influencing people's positive emotional state.

Situations that cause visual discomfort can frequently arise. The light, glare or reflection levels are just too bright and contrasts too large for optimal working conditions.

Workspaces which are comfortable, naturally lit and allow occupants to connect with outdoor space can improve productivity and reduce absenteeism. Research on the relationship between day lighting and productivity shows that the use of daylight without glare resulted in productivity gains in the order of 4%. To fully optimise the benefits of daylight, control systems can be integrated in the sun control solution.

## SUSTAINABILITY & INDOOR ENVIRONMENTAL QUALITY

The environmental footprint of a building includes such factors as the use of energy, water, materials and resources. HunterDouglas® Sun Control Systems and Window Covering products can play an excellent role in reducing the environmental footprint, whilst at the same time enhancing the thermal and visual dimensions of indoor environmental quality.



# Energy and Light Tool

The function of Window Coverings is to provide visual comfort and heat control. The primary function of interior window coverings is to reduce glare levels and diffusing daylight. The primary function of External Window Coverings is heat control.

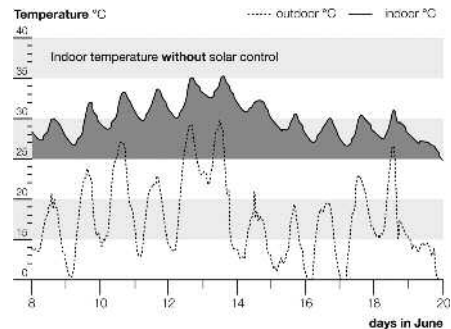
## THERMAL COMFORT

External Window Coverings will prevent excessive solar heat gain and reduce the need for cooling in the summer. Moreover, it will also reduce - if not eliminate - the high capacity of cooling equipment needed, resulting in a reduction in the initial investment cost.

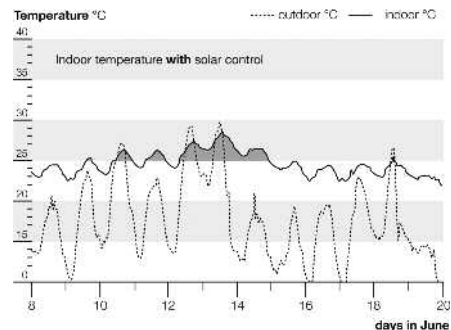
In colder climates, External Window Coverings will enable the use of solar energy to help heat the building in winter. This is often overlooked when solar control glass is selected for heat control.

Thermal comfort at a minimal environmental impact calls for a careful matching of glazing, Sun Control and HVAC equipment.

Hunter Douglas Energy Tool helps finding an optimum solution by quantifying the effects of various External Window Coverings. The pay-off will be reduced energy costs and often reduced investment cost, and on top of that: reduced greenhouse gas emission during the operation phase of the building.



Indoor and outdoor temperature without External Window Covering



Indoor and outdoor temperature with External Window Covering

## VISUAL COMFORT

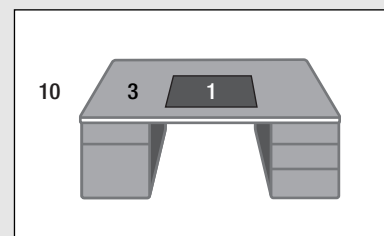
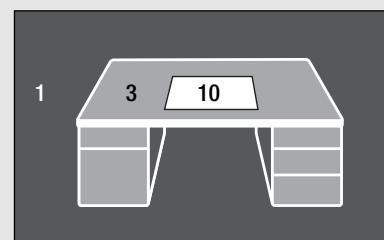
Interior Window Coverings enable the use of free renewable daylight to the maximum extent, so significantly reducing the need for artificial lighting and avoiding the associated cooling loads.

The accepted factor in creating visual comfort states that the contrast within the field of view should not exceed a factor of 10. The contrast between the central visual task and its direct surroundings should not exceed a factor of 3.

When designing an office space, questions often arise around what measures should be considered to guarantee the right level of visual comfort?

The Hunter Douglas Light Tool makes the assessment of visual comfort tangible by calculating luminance levels for a model office with and without window coverings. The amount and type of glass, the orientation of the façade, the geographical location, weather, season and time of day are all taken into account before recommendations are made.

The Light Tool helps client's assess which window covering provides the aesthetic and performance levels needed to create visual comfort for their particular project.



Contrast factor 1:3:10

## HUNTER DOUGLAS ARCHITECTURAL PRODUCTS

Over 40 years, Hunter Douglas has been dedicated to innovation.

As the field of Sun Control grows, we pride ourselves on leading the way as pioneers in the area.



## ARCHITECTURAL SERVICES



We support our business partners with a wide range of technical consulting and support services for architects, developers and installers. We assist architects and developers with

recommendations regarding materials, shapes and dimensions, colours and finishes. We also help creating design proposals, visualisations and mounting drawings. Our services to installers range from providing detailed installation drawings and instructions to training installers and advising on the building site.

We're working alongside architects and designers throughout the globe, developing new, innovative methods of managing heat, light and energy. We've committed ourselves to crafting products that meet the highest standards of materials, construction and performance because we believe that you need the right tools to create projects that inspire.

## Innovative Products Make Innovative Projects

# Learn More

■ Contact our Sales office

■ [www.hunterdouglascontract.com](http://www.hunterdouglascontract.com)



Promoting sustainable  
forest management  
[www.pefc.org](http://www.pefc.org)

© Registered trademark - a HunterDouglas® product Pats. & Pats. Pend. - Technical data subject to change without notice. © Copyright Hunter Douglas 2009. No rights can be derived from copy, text pertaining to illustrations or samples. Subject to changes in materials, parts, compositions, designs, versions, colours etc., even without notice. MX918W00



## HUNTER DOUGLAS ARCHITECTURAL PRODUCTS

Over 40 years, Hunter Douglas has been dedicated to innovation.

As the field of Sun Control grows, we pride ourselves on leading the way as pioneers in the area.

We're working alongside architects and designers throughout the globe, developing new, innovative methods of managing heat, light and energy. We've committed ourselves to crafting products that meet the highest standards of materials, construction and performance because we believe that you need the right tools to create projects that inspire.



**HUNTER DOUGLAS** is a publicly traded company with activities in more than 100 countries with over 150 companies.

## ARCHITECTURAL SERVICES



We support our business partners with a wide range of technical consulting and support services for architects, developers and installers. We

assist architects and developers with recommendations regarding materials, shapes and dimensions, colours and finishes. We also help creating design proposals, visualisations and mounting drawings. Our services to installers range from providing detailed installation drawings and instructions to training installers and advising on the building site.

The origin of our company goes back to 1919, in Düsseldorf, Germany. Throughout our history, we have introduced innovations that have shaped the industry, from the invention of the continuous aluminium caster, to the creation of the first aluminium venetian blinds, to the development of the latest high-quality building products.

Today we employ more than 20,000 people in our companies with major operation centres in Europe, North America, Latin America, Asia and Australia.

## Innovative Products Make Innovative Projects

# Learn More

■ Contact our Sales office

■ [www.hunterdouglascontract.com](http://www.hunterdouglascontract.com)



Promoting sustainable  
forest management  
[www.pefc.org](http://www.pefc.org)

© Registered trademark - a HunterDouglas® product Pats. & Pats. Pend. - Technical data subject to change without notice. © Copyright Hunter Douglas 2009. No rights can be derived from copy, text pertaining to illustrations or samples. Subject to changes in materials, parts, compositions, designs, versions, colours etc., even without notice. MX918W00



### HUNTER DOUGLAS ARCHITECTURAL PRODUCTS

Over 40 years, Hunter Douglas has been dedicated to innovation. As the field of Sun Control grows, we pride ourselves on leading the way as pioneers in the area.

We're working alongside architects and designers throughout the globe, developing new, innovative methods of managing heat, light and energy. We've committed ourselves to crafting products that meet the highest standards of materials, construction and performance because we believe that you need the right tools to create projects that inspire.

## Innovative Products Make Innovative Projects



Promoting sustainable  
forest management  
[www.pefc.org](http://www.pefc.org)

© Registered trademark - a HunterDouglas® product Pats. & Pats. Pend. - Technical data subject to change without notice.  
© Copyright Hunter Douglas 2009. No rights can be derived from copy, text pertaining to illustrations or samples. Subject to changes in materials, parts, compositions, designs, versions, colours etc., even without notice. **MX918W00**



## ARCHITECTURAL SERVICES

We support our business partners with a wide range of technical consulting and support services for architects, developers and installers. We assist architects and developers with recommendations regarding materials, shapes and dimensions, colours and finishes. We also help creating design proposals, visualisations and mounting drawings. Our services to installers range from providing detailed installation drawings and instructions to training installers and advising on the building site.

**HunterDouglas**

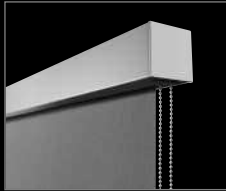
WINDOW COVERINGS



# Learn More

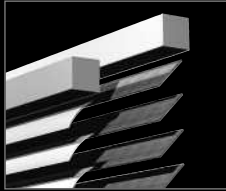
- Contact our Sales Office
- [www.hunterdouglascontract.com](http://www.hunterdouglascontract.com)

Roller Blinds



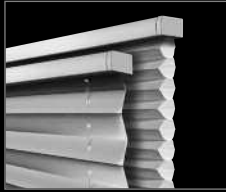
Austria  
Belgium  
Bulgaria  
Croatia / Slovenia

Venetian & Wood Blinds



Czechia  
Denmark  
France  
Germany  
Greece  
Hungary

Plissé & Duette® Shades



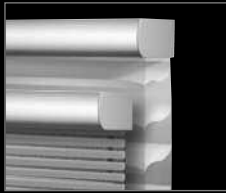
Ireland  
Italy  
Kazakhstan  
the Netherlands  
Norway

Vertical Venetian Blinds



Poland  
Portugal  
Romania  
Russia  
Serbia  
Slovakia

Facette® & Silhouette®



Spain  
Sweden  
Switzerland  
Turkey  
Ukraine  
United Kingdom

External Venetian Blinds



Africa  
Middle East

External Roller Blinds



Asia  
Australia  
Latin America  
North America

**HUNTER DOUGLAS EUROPE B.V.**

2, Piekstraat  
P.O. Box 5072 - 3008 AB Rotterdam  
Tel. +31 (0)10 - 4869911  
Fax +31 (0)10 - 4847910  
[www.hunterdouglascontract.com](http://www.hunterdouglascontract.com)

# HunterDouglas